

TRANSFER STATION SYSTEMS

ATMOSPHERIC DESIGN

EFFECTIVE DATE: 3/6/2000

REPLACES: 11/17/99

NOTES:

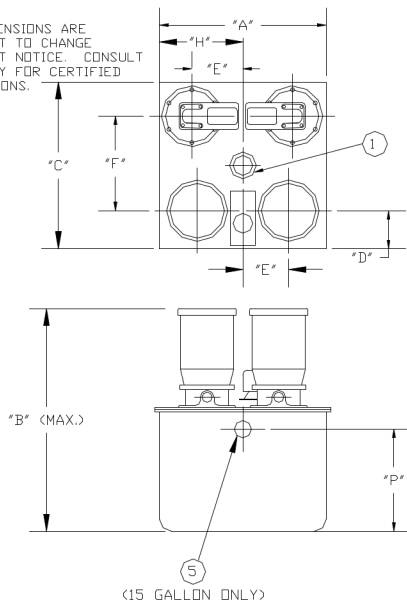
1. DIMENSIONS ARE SUBJECT TO CHANGE WITHOUT NOTICE. CONSULT FACTORY FOR CERTIFIED DIMENSIONS.

BRYAN NUMBER: _____

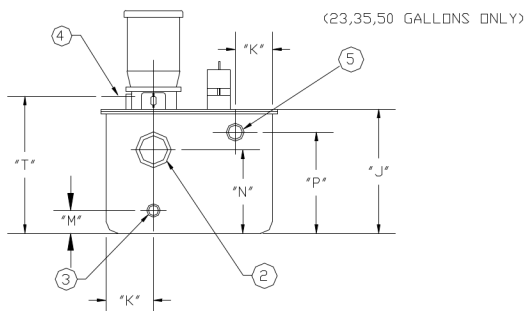
MODEL: _____

AGENT: _____

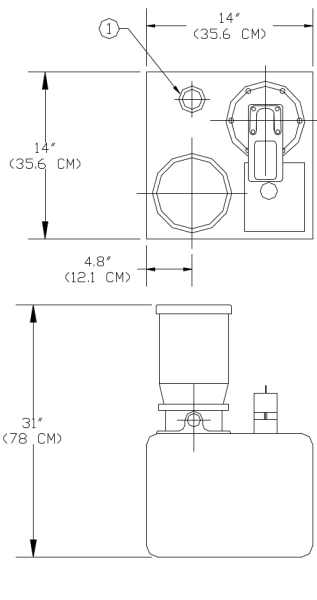
GALLONS: _____



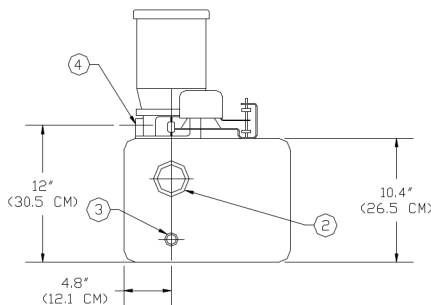
15 THRU 50 GALLON TANKS



GALLONS	DIMENSIONS													
	A	B	C	D	E	F	H	J	K	M	N	P	T	
8	SEE BELOW													
15	20"	31"	18"	N/A	5-1/2"	N/A	10"	10-13/32"	4-1/2"	N/A	7"	N/A	12"	
23	22-1/8"	35"	24"	5-5/8"	6-3/8"	13-5/8"	12"	13"	6-1/2"	1-1/8"	7"	11-1/2"	14-3/4"	
35	27-1/4"	35"	29"	5-5/8"	6-7/8"	14-7/8"	14-1/2"	13"	6-1/2"	1-1/8"	7"	11-1/2"	14-3/4"	
50	31-3/4"	35"	33-1/2"	5-5/8"	7-7/8"	17-5/8"	16-3/4"	13"	6-1/2"	1-1/8"	7"	11-1/2"	14-3/4"	



CONNECTIONS CHART		GALLONS				
ITEM #		8	15	23	35	50
1	VENT	1-1/4"	1-1/4"	2"	2"	2"
2	CONDENSATE RETURN	2"	2"	2-1/2"	2-1/2"	2-1/2"
3	DRAIN	1/2"	1/2"	1/2"	1/2"	1/2"
4	PUMP DISCHARGE	SEE CHART				
5	OVERFLOW	N/A	1"	1-1/4"	1-1/4"	1-1/4"



B BRYAN STEAM

783 N. CHILI AVE
PERU, INDIANA 46970

DWG. NO.: A50733
FORM NO.: 2092