

BH Series Electric Boiler

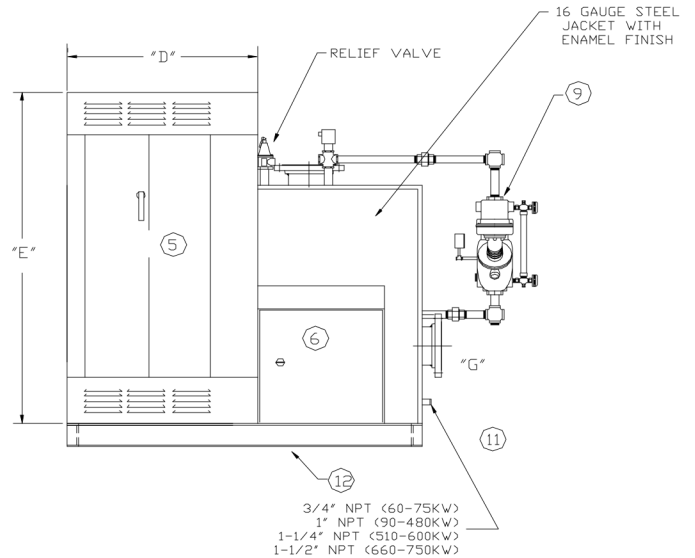
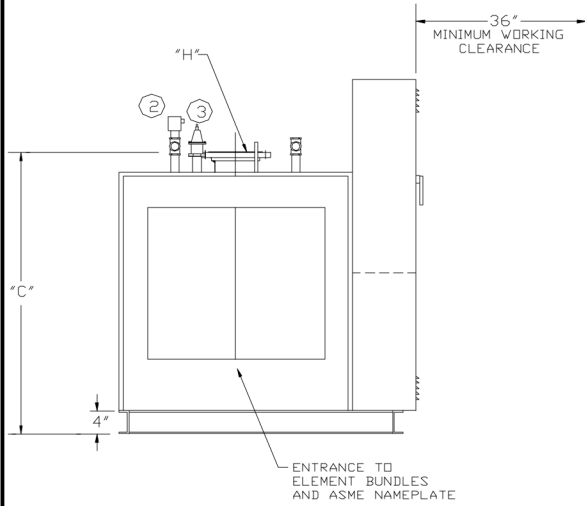
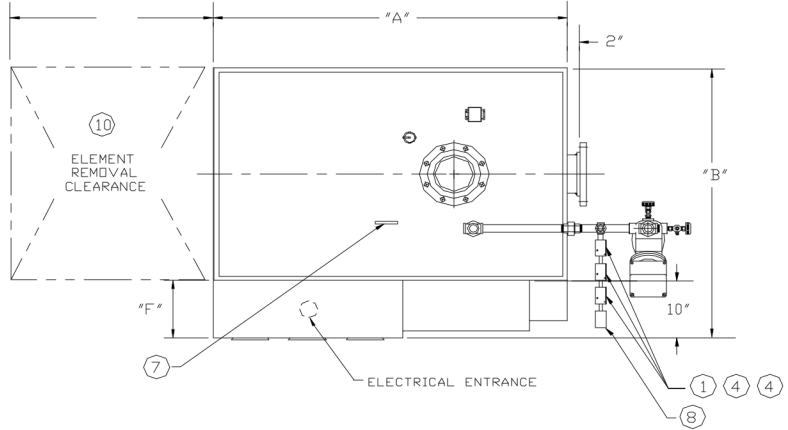
15# Steam Design 60kw to 480 kw

EFFECTIVE DATE: 3-1-04
REPLACED DATE: 2-18-82

NOTES:

1. DIMENSIONS ARE SUBJECT TO CHANGE WITHOUT NOTICE. CONSULT FACTORY FOR CERTIFIED DIMENSIONS.
2. TIE IN OF EXPANSION TANK CONNECTION IS ESSENTIAL TO INSURE PROPER OPERATION OF THE LOW WATER CUT-OFF FLOAT
3. NOT INTENDED FOR USE AS A PRINCIPAL HEATING SOURCE FOR LIVING SPACE OF AN INDIVIDUAL RESIDENCE

30" (60 KW THRU 480 KW)
55" (510 KW THRU 3000 KW)



1. OPERATOR
2. PROBE TYPE LWCO
3. RELIEF VALVE
4. PRESSURETROL

5. POWER PANEL
6. CONTROL PANEL
7. LIFTING LUGS
8. PRESSURE GAUGE

9. LWCO/PUMP CONTROL
10. ELEMENT ACCESS
11. DRAIN
12. STRUCTURAL STEEL BASE

KW	Dimensions				DxExF		Inlet		Outlet	
	A	B	C		208-230/3/60	460-575/3/60	G	H		
60	50"	41"	43"		30"x36"x10"	30"x36"x10"	2" 150#	3" 150#		
75	50"	41"	43"		30"x36"x10"	30"x36"x10"	2" 150#	3" 150#		
90	50"	41"	42-1/2"		30"x36"x10"	30"x36"x10"	2" 150#	3" 150#		
105	50"	41"	42-1/2"		30"x48"x10"	30"x36"x10"	2" 150#	3" 150#		
120	50"	41"	42-1/2"		30"x48"x10"	30"x36"x10"	2" 150#	3" 150#		
135	56"	47"	49"		30"x48"x10"	30"x36"x10"	3" 150#	4" 150#		
150	56"	47"	49"		30"x48"x10"	30"x36"x10"	3" 150#	4" 150#		
165	56"	47"	49"		30"x48"x10"	30"x36"x10"	3" 150#	4" 150#		
180	56"	47"	49"		30"x48"x10"	30"x36"x10"	3" 150#	4" 150#		
195	56"	47"	49"		30"x66"x10"	30"x48"x10"	3" 150#	4" 150#		

KW	Dimensions				DxExF		Inlet		Outlet	
	A	B	C		208-230/3/60	460-575/3/60	G	H		
210	56"	47"	49"		30"x66"x10"	30"x48"x10"	3" 150#	4" 150#		
225	56"	47"	49"		30"x66"x10"	30"x48"x10"	3" 150#	4" 150#		
240	56"	47"	49"		30"x66"x10"	30"x48"x10"	3" 150#	4" 150#		
270	60"	59"	61"		36"x72"x10"	30"x48"x10"	4" 150#	6" 150#		
300	60"	59"	61"		36"x72"x10"	30"x48"x10"	4" 150#	6" 150#		
330	60"	59"	61"		36"x72"x10"	30"x48"x10"	4" 150#	6" 150#		
360	60"	65"	67"		60"x82"x16"	30"x48"x10"	4" 150#	6" 150#		
390	60"	65"	67"		60"x82"x16"	30"x66"x10"	4" 150#	6" 150#		
420	60"	65"	67"		60"x82"x16"	30"x66"x10"	4" 150#	6" 150#		
480	60"	65"	67"		60"x82"x16"	30"x66"x10"	4" 150#	6" 150#		

B BRYAN BOILERS

783 NORTH CHILI AVE
PERU, INDIANA 46970

FORM NO.:

2249