

# BH Series Electric Boiler

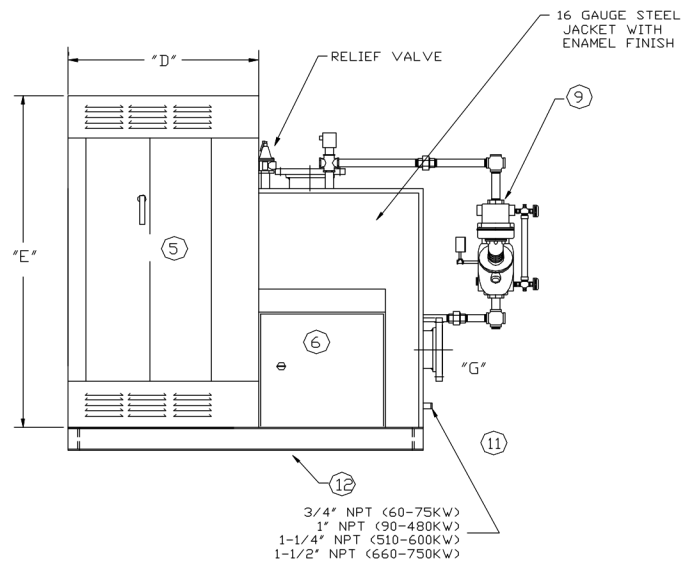
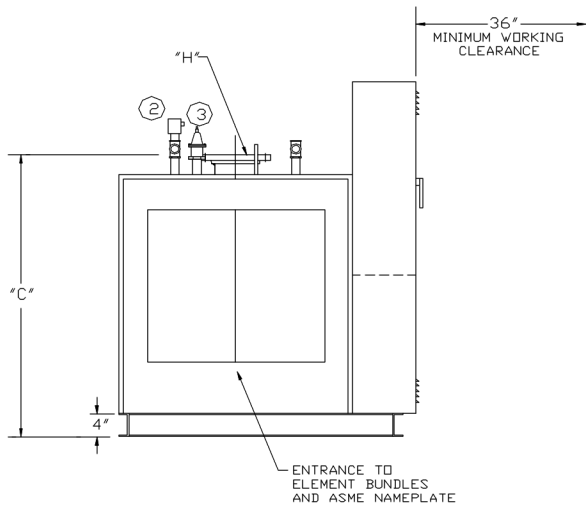
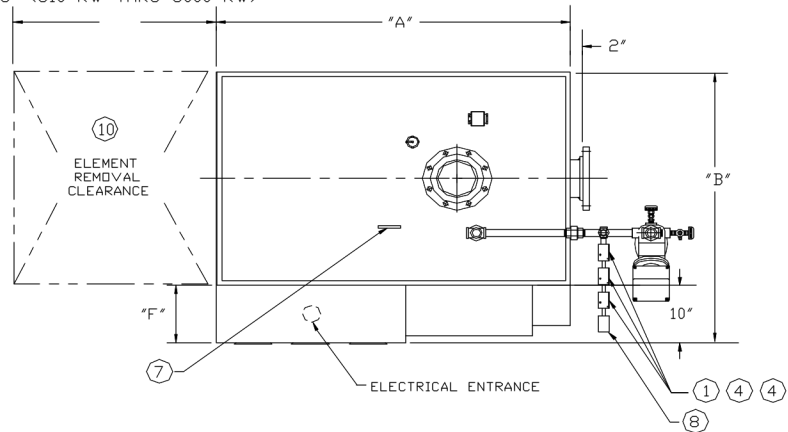
## 15# Steam Design 510 kw to 3000 kw

EFFECTIVE: 3-1-04  
REPLACED DATE: 2-18-82

**NOTES:**

1. DIMENSIONS ARE SUBJECT TO CHANGE WITHOUT NOTICE. CONSULT FACTORY FOR CERTIFIED DIMENSIONS.
2. TIE IN OF EXPANSION TANK CONNECTION IS ESSENTIAL TO INSURE PROPER OPERATION OF THE LOW WATER CUT-OFF FLOAT
3. NOT INTENDED FOR USE AS A PRINCIPAL HEATING SOURCE FOR LIVING SPACE OF AN INDIVIDUAL RESIDENCE

30" (<60 KW THRU 480 KW)  
55" (<510 KW THRU 3000 KW)



- |                    |                   |                           |
|--------------------|-------------------|---------------------------|
| 1. OPERATOR        | 5. POWER PANEL    | 9. LWCO/PUMP CONTROL      |
| 2. PROBE TYPE LWCO | 6. CONTROL PANEL  | 10. ELEMENT ACCESS        |
| 3. RELIEF VALVE    | 7. LIFTING LUGS   | 11. DRAIN                 |
| 4. PRESSURETROL    | 8. PRESSURE GAUGE | 12. STRUCTURAL STEEL BASE |

KW	Dimensions				Inlet	Outlet
	A	B	C	DxExF		
510	84"	53"	55"	208-230/3/60	4" 150#	6" 150#
540	84"	53"	55"	N/A	4" 150#	6" 150#
570	84"	53"	55"	N/A	4" 150#	6" 150#
600	84"	53"	55"	N/A	4" 150#	6" 150#
660	84"	53"	55"	N/A	4" 150#	6" 150#
720	84"	53"	55"	N/A	4" 150#	6" 150#
780	**	**	**	N/A	**	**
840	**	**	**	N/A	**	**
900	**	**	**	N/A	**	**
960	**	**	**	N/A	**	**
1020	**	**	**	N/A	**	**

KW	Dimensions				Inlet	Outlet
	A	B	C	DxExF		
1080	**	**	**	N/A	60"x82"x16"	**
1140	**	**	**	N/A	60"x82"x16"	**
1200	**	**	**	N/A	60"x90"x16"	**
1260	**	**	**	N/A	60"x90"x16"	**
1320	**	**	**	N/A	60"x90"x16"	**
1350	**	**	**	N/A	60"x90"x16"	**
1380	**	**	**	N/A	60"x90"x16"	**
1440	**	**	**	N/A	60"x90"x16"	**
1530	**	**	**	N/A	60"x96"x16"	**
1620-2100	**	**	**	N/A	60"x96"x16"	**
2160-3000	**	**	**	N/A	***	**

\*\*\* TWO POWER PANELS ARE REQUIRED CONSULT FACTORY  
\*\* CONSULT FACTORY



783 NORTH CHILI AVE  
PERU, INDIANA 46970

DWG. NO.: C-1713-6  
FORM NO.: C-11106-B