

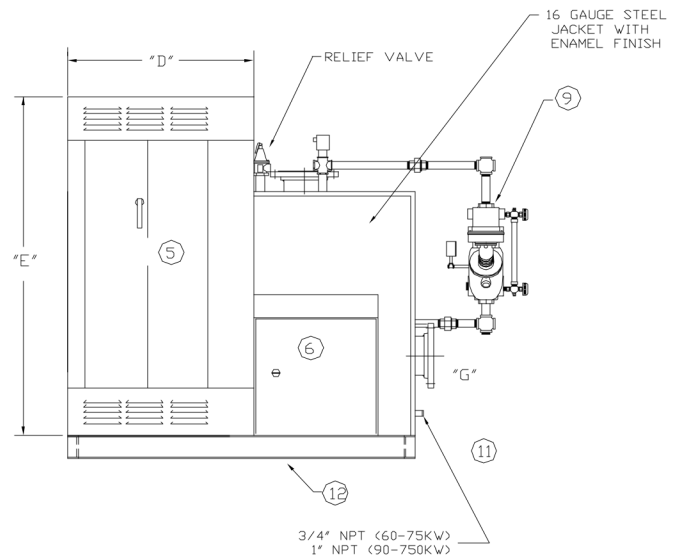
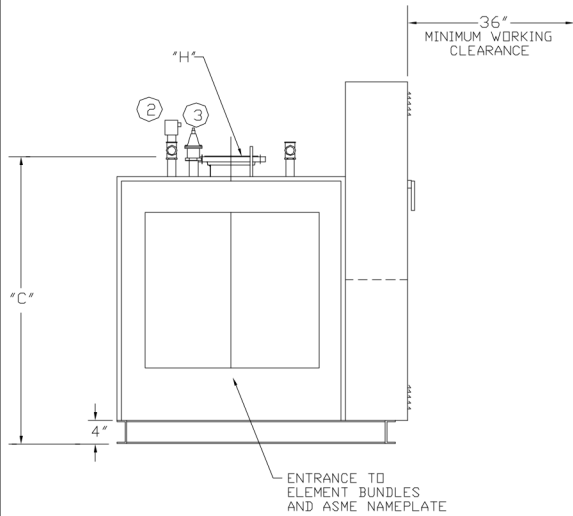
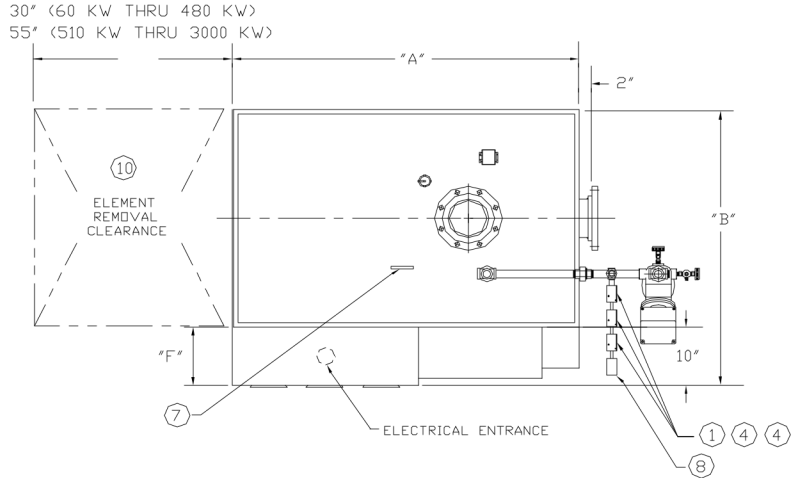
BH SERIES Electric Boiler

150# Steam Design 30 kw to 480 kw

EFFECTIVE: 9-19-05
REPLACED DATED: 4-18-05

NOTES:

1. DIMENSIONS ARE SUBJECT TO CHANGE WITHOUT NOTICE. CONSULT FACTORY FOR CERTIFIED DIMENSIONS.
2. TIE IN OF EXPANSION TANK CONNECTION IS ESSENTIAL TO INSURE PROPER OPERATION OF THE LOW WATER CUT-OFF FLOAT
3. NOT INTENDED FOR USE AS A PRINCIPAL HEATING SOURCE FOR LIVING SPACE OF AN INDIVIDUAL RESIDENCE



- | | | |
|--|--|--|
| <p>1. OPERATOR
2. PROBE TYPE LWCO
3. RELIEF VALVE
4. PRESSURE TROL</p> | <p>5. POWER PANEL
6. CONTROL PANEL
7. LIFTING LUGS
8. PRESSURE GAUGE</p> | <p>9. LWCO/PUMP CONTROL
10. ELEMENT ACCESS
11. DRAIN
12. STRUCTURAL STEEL BASE</p> |
|--|--|--|

KW	Dimensions								Inlet	Outlet					
	A B C			DxExF		G	H								
	208-230/3/60	460-575/3/60													
30	50"	33"	31-1/2"	30"x36"x10"	30"x36"x10"	1" NPT	2" NPT	210	80"	41"	39-1/2"	30"x66"x10"	30"x48"x10"	1" NPT	3" NPT
45	50"	33"	31-1/2"	30"x36"x10"	30"x36"x10"	1" NPT	2" NPT					225	80"		
60	50"	33"	31-1/2"	30"x36"x10"	30"x36"x10"	1" NPT	2" NPT	240	80"	41"	39-1/2"	30"x66"x10"	30"x48"x10"	1" NPT	3" NPT
75	50"	33"	31-1/2"	30"x36"x10"	30"x36"x10"	1" NPT	2" NPT					270	80"		
90	50"	41"	39-1/2"	30"x36"x10"	30"x36"x10"	1" NPT	3" NPT	300	80"	41"	39-1/2"	36"x72"x10"	30"x48"x10"	1" NPT	3" NPT
105	50"	41"	39-1/2"	30"x48"x10"	30"x36"x10"	1" NPT	3" NPT					330	80"		
120	50"	41"	39-1/2"	30"x48"x10"	30"x36"x10"	1" NPT	3" NPT	360	80"	41"	39-1/2"	60"x82"x16"	30"x48"x10"	1" NPT	3" NPT
135	50"	41"	39-1/2"	30"x48"x10"	30"x36"x10"	1" NPT	3" NPT					390	80"		
150	50"	41"	39-1/2"	30"x48"x10"	30"x36"x10"	1" NPT	3" NPT	420	**	**	**	**	**	**	**
165	50"	41"	39-1/2"	30"x48"x10"	30"x36"x10"	1" NPT	3" NPT					450	**		
180	50"	41"	39-1/2"	30"x48"x10"	30"x36"x10"	1" NPT	3" NPT	480	**	**	**	**	**	**	**
195	50"	41"	39-1/2"	30"x66"x10"	30"x48"x10"	1" NPT	3" NPT					**	**		

** CONSULT FACTORY

B BRYAN BOILERS

783 NORTH CHILI AVE
PERU, INDIANA 46970

FORM NO.:

2251