

# **BRYAN STEAM**

## **Horizontal Transfer Systems** **Capacities to 1,000 Boiler HP for 15 through 250 PSI Boilers**



Model HTS-150-100-100-D

The Bryan Horizontal Transfer System is a conventional stand-mounted feed system or surge tank that is completely packaged, but is also flexible to meet each customer's specific needs.

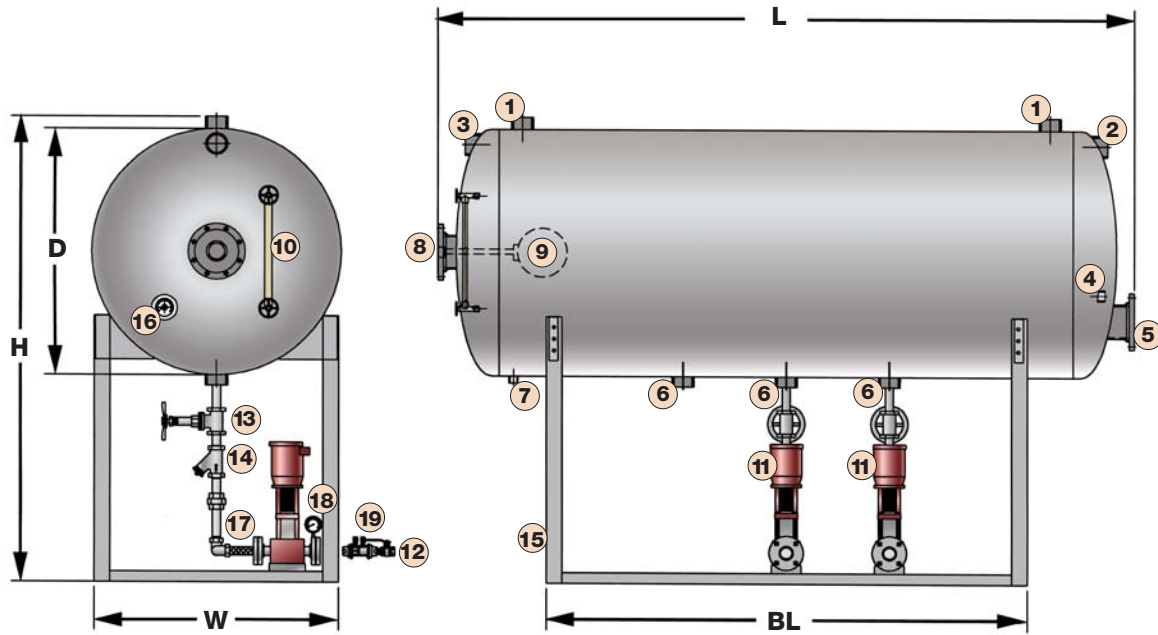
### ***Performance Features***

- Designed to feed 15 through 250 PSI design boilers
- Atmospheric tank built from heavy steel with curved heads
- Tank sizes from 60 to 1,000 gallons
- Designed to feed up to 1,000 HP boilers
- Easily maintained
- Factory packaged unit for ease of installation
- Packages based on 1 gallon storage per 1 BHP

### ***Construction Features***

- Available with single or multiple pump packages
- Pumps mounted under tank for less floor space requirements
- TEFC pump motors and NEMA 12 enclosures are standard
- Pump discharge pressure gauges and tank thermometer are standard
- Heavy duty stand with pump platform
- Versatile design with several options available

# Bryan Horizontal Transfer Systems



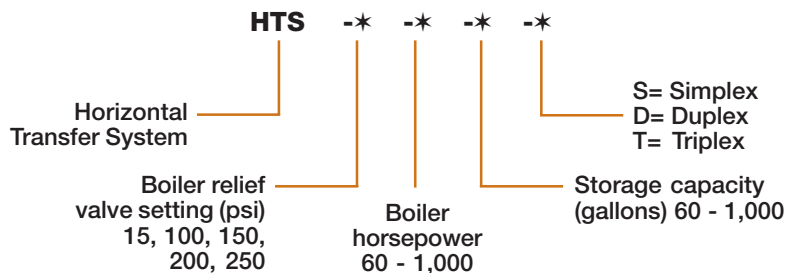
- |                                 |                               |                              |
|---------------------------------|-------------------------------|------------------------------|
| 1. Vent connection              | 6. Pump suction connection    | 13. Gate valve               |
| 2. Condensate return connection | 7. Drain connection           | 14. Strainer                 |
| 3. Overflow connection          | 8. Make-up water connection   | 15. Structural steel base    |
| 4. Steam valve sensor port      | 9. Make-up control assembly   | 16. Thermometer              |
| 5. Steam preheater connection   | 10. Gauge glass               | 17. Flexible connector       |
|                                 | 11. Boiler feed pump          | 18. Discharge pressure gauge |
|                                 | 12. Pump discharge connection | 19. Throttling valve         |

Dimensions are for reference only and may change without notice. Consult factory for certified dimensions.

## Specifications

Capacity		Dimensions in inches (cm)				
Gallons	Liters	L Overall Length	W Overall Width	H Overall Height	D Tank Diameter	BL Overall Base
60	227	52 (132)	22 (56)	50.5 (128)	22 (56)	36.5 (93)
100	379	64 (163)	24 (61)	61.5 (156)	24 (61)	48.5 (123)
200	757	78.5 (199)	30 (76)	79.5 (202)	30 (76)	60 (152)
250	946	80.5 (204)	36 (91)	82.5 (210)	36 (91)	60 (152)
350	1,325	82 (208)	42 (107)	82.5 (210)	42 (107)	60 (152)
500	1,893	106 (269)	42 (107)	82.5 (210)	42 (107)	66 (168)
750	2,839	108 (274)	48 (122)	90.5 (230)	48 (122)	66 (168)
1,000	3,785	135 (343)	48 (122)	90.5 (230)	48 (122)	93 (236)

### Model Designation



**Bryan Steam — Leaders Since 1916**<sup>783</sup>  
 N. Chili Ave., Peru, Indiana 46970 U.S.A.  
 Phone: 765-473-6651 • Internet: www.bryanboilers.com  
 Fax: 765-473-3074 • E-mail: bryanboilers@iquest.net