

# Ageless Iron Tall Plate Door Hardware Installation Instructions

## Passage/Privacy



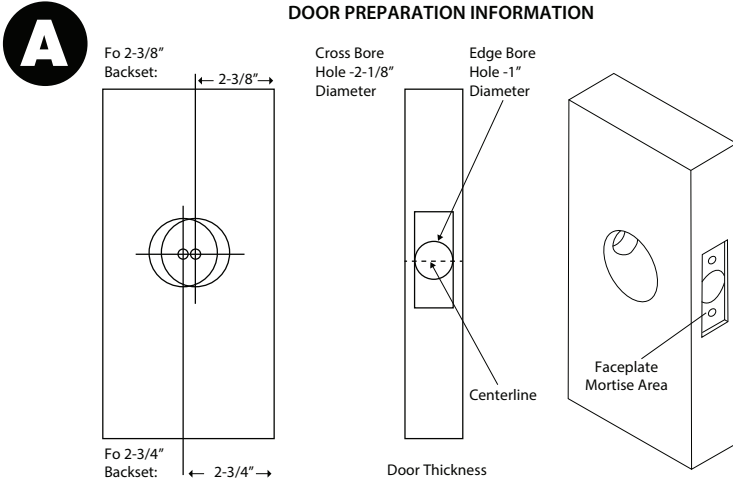
PK382

Note: Passages and privacies for doors 1-3/8" to 2" thick

Tools Required: Drill, 1/4" drill bit, #2 Phillips screwdriver

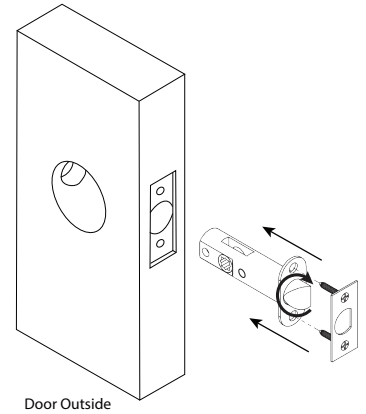
**WARNING: Use of power driver will strip screw heads.**

### DOOR PREPARATION INFORMATION



### B

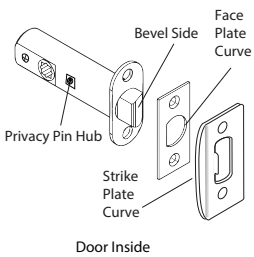
Install latch, and rotate latch tongue to change handing. (See panel C below)



### C

#### Latch Tongue Note

Bevel side of latch tongue should contact curved end of face plate, and curved end of strike plate.



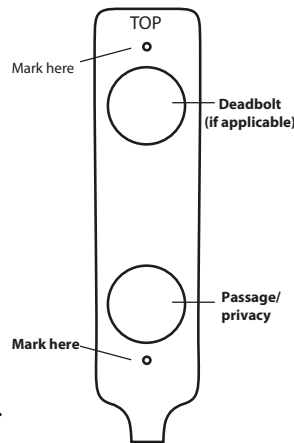
**IMPORTANT:**  
The privacy pin hub with threads goes on the inside of the door so it can accept the privacy pin.

### D

Use the included universal drilling template to mark the mounting holes.

For passage/privacy locks, insert the bottom "cup" only, making sure the template is vertical. Mark the bottom mounting hole as shown, then flip the template over (so the "cups" are facing out.) Align the bottom drilling hole in the template with your mark. This will position the template so you can mark the top mounting hole.

Drill the mounting holes through the door using a 1/4" drill bit.

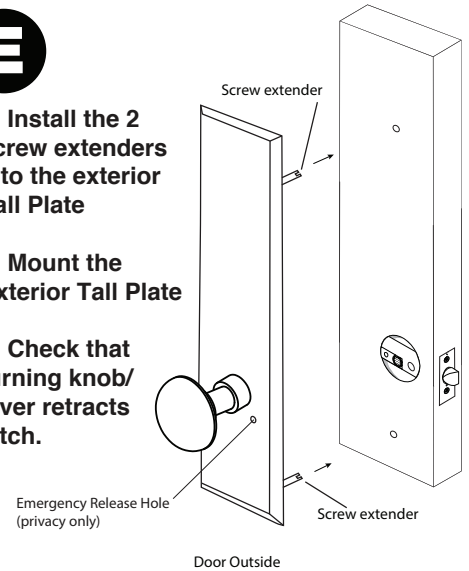


### E

1) Install the 2 screw extenders into the exterior Tall Plate

2) Mount the Exterior Tall Plate

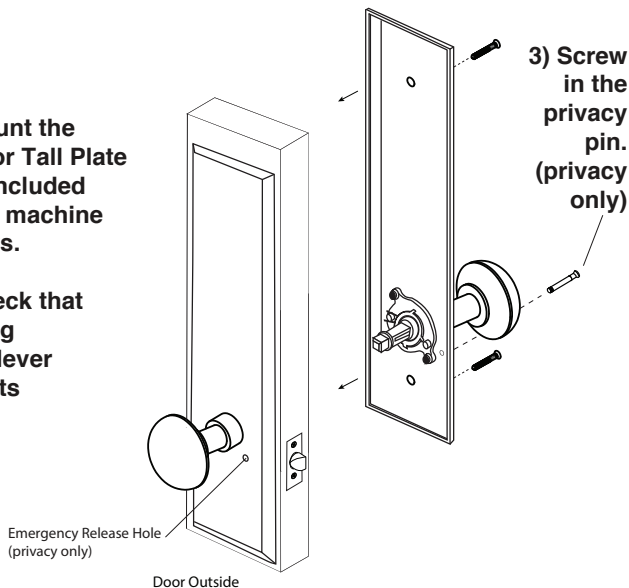
3) Check that turning knob/lever retracts latch.



### F

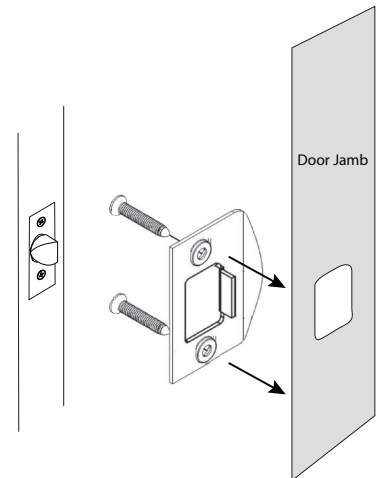
1) Mount the interior Tall Plate with included 1-1/2" machine screws.

2) Check that turning knob/lever retracts latch.



### G

Attach the strike plate to the door jamb using 3/4" long wood screws.



# Exploded Drawing for Tall Plate Passage/Privacy

