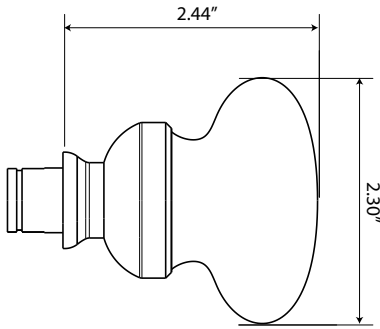


## TECHNICAL SPECIFICATIONS

---

### Black Shadow Knob



> Design code: SHA

> Material: Porcelain; Cast iron, zinc plated and powder coated



Black Shadow Knob on Loch Rosette