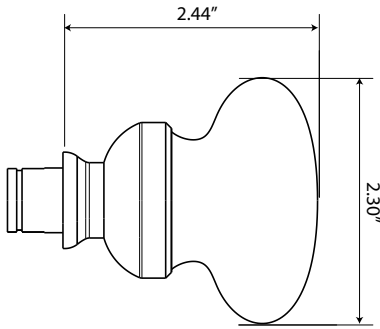


TECHNICAL SPECIFICATIONS

Brown Autumn Knob



> Design code: AUT

> Material: Porcelain; Cast iron, zinc plated and powder coated



Brown Autumn Knob on Loch Rosette