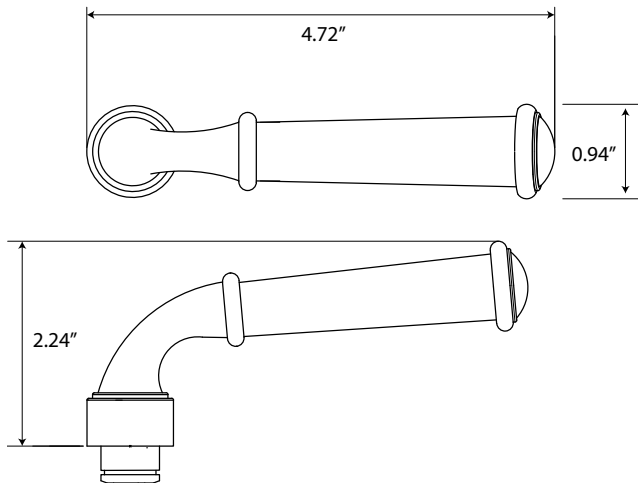


TECHNICAL SPECIFICATIONS

Cannon Lever



> Design code: CAN

> Material: Cast iron, zinc plated and powder coated

> Functions: Left or right handing



Cannon Lever on Loch Rosette