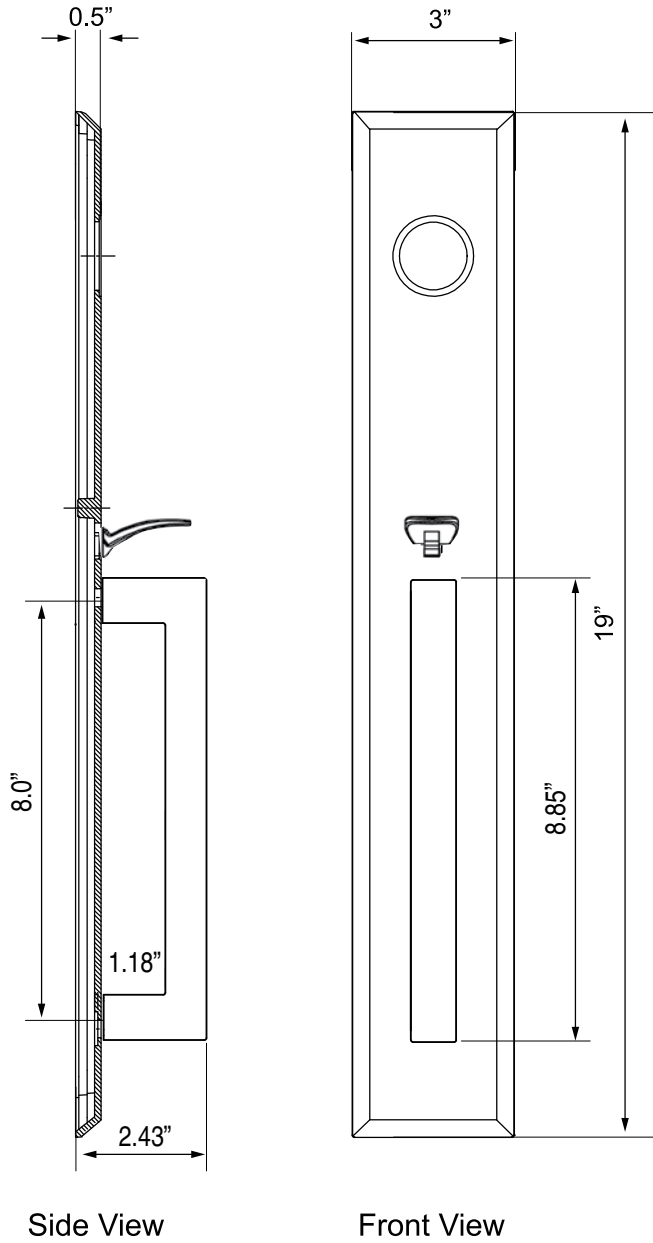


TECHNICAL SPECIFICATIONS

Keep One-Piece Handleset with D-Grip

> Design code: KEP

> Material: Cast iron, zinc plated and powder coated



Keep One-Piece Handleset with D-Grip