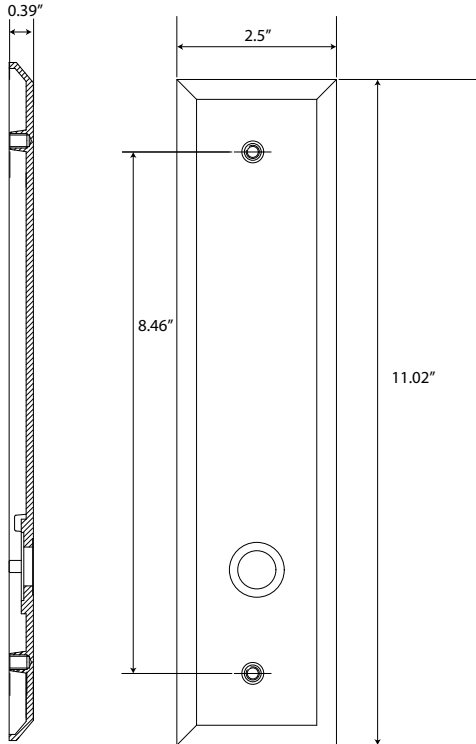


TECHNICAL SPECIFICATIONS

Keep Tall Plate



- > Design code: KEP
- > Material: Cast iron, zinc plated and powder coated
- > Functions: Passage, privacy, dummy



Keep Knob on Keep Tall Plate