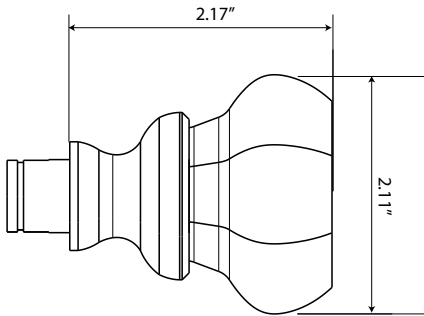


TECHNICAL SPECIFICATIONS

Krystall Knob



> Design code: KRY

> Material: Cast iron, crystal



Krystall Knob on Loch Rosette