



2550 K-CP

X - CLOSURE

SPECIFICATION SUBMITTAL

FIRE-RATED PVC OFFSET WASTE & OVERFLOW KIT


JOB:
CONTRACTOR:
ARCHITECT/ENGINEER:


DATE:
QTY:
PO#:
TAG:

SPECIFICATION

Features a Bell SlideOn™ faceplate, spin-on tie plate, angle adapter, and large strainer. Kit comes with tee, less 1-1/2" pipe.

CERTIFICATION

 ASME A112.18.2/CSA-B125.2
The "cCSAus" Meets UPC & IPC
Code" mark means the product
conforms to the requirements of
the NPC, UPC, IPC, and IRC.

 CAN/ULC S102.2
Flame Spread Rating 0
Smoke Developed Rating 40

CLOSURES AVAILABLE

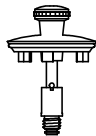
Fill X - CLOSURE

CS



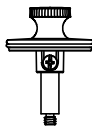
PLUG & CHAIN

L



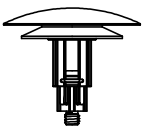
LIFT & TURN
BRASS

LZ



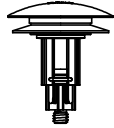
LIFT & TURN
ZINC

Q

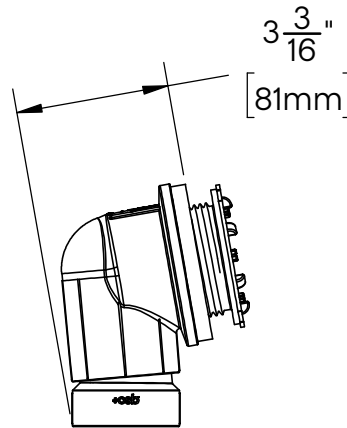


CLICKER®

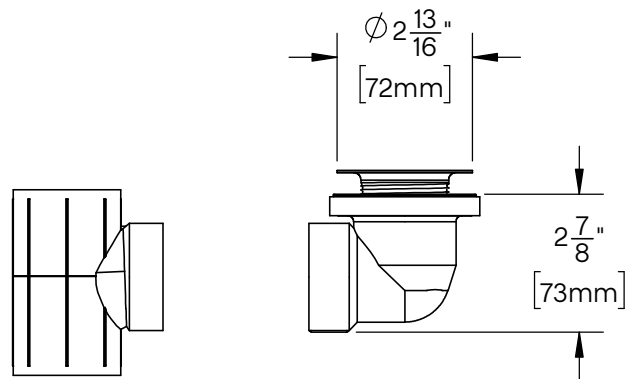
TIP



TIP-TOE



2550KQ-CP
SHOWN



ROUGH-IN KIT
SHOWN

Oakville Stamping and Bending Ltd.

T. 905.827.0320 or toll free 1.877.314.6040 F. 905.827.6375 or toll free 1.877.827.6040

All rights reserved. +osb™ reserves the right to change product specifications and material or discontinue models without notice.

www.osb.ca (Canada) www.osbplumbing.com (USA)

06/26/26

