



**SPECIFICATION SUBMITTAL**

# 2550          -K

Z - CLOSURE

## FIRE-RATED PVC OFFSET WASTE & OVERFLOW KIT


JOB:  
CONTRACTOR:  
ARCHITECT/ENGINEER:


DATE:  
QTY:  
PO#:  
TAG:

### SPECIFICATION

Features spin-on tie plate, angle adapter, and large strainer. Kit comes with tee, less 1-1/2" pipe.

### CERTIFICATION

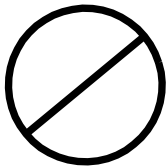
 ASME A112.18.2/CSA-B125.2  
The "cCSAus" Meets UPC & IPC  
Code" mark means the product  
conforms to the requirements of  
the NPC, UPC, IPC, and IRC.

 CAN/ULC S102.2  
Flame Spread Rating 0  
Smoke Developed Rating 40

### CLOSURES AVAILABLE

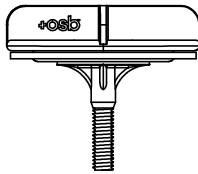
Fill **Z - CLOSURE**

**RI**

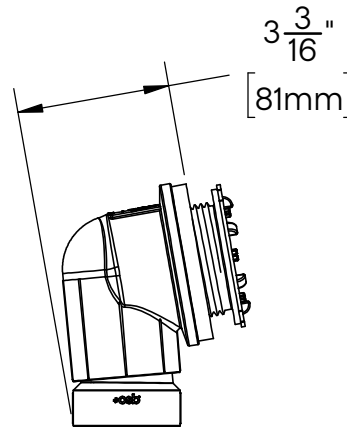


ROUGH-IN

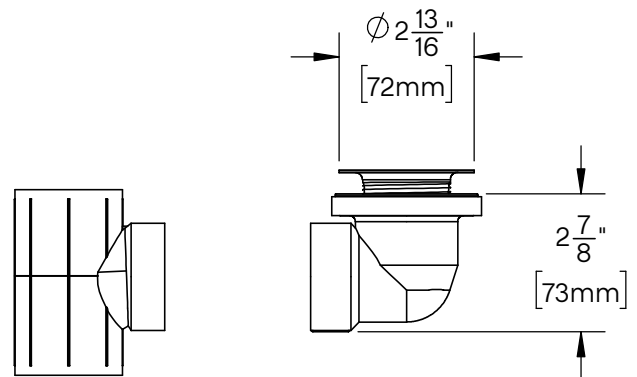
**TDRI**



TESTABLE  
ROUGH-IN



2550TDRI-K  
SHOWN



ROUGH-IN KIT  
SHOWN

**Oakville Stamping and Bending Ltd.**

T. 905.827.0320 or toll free 1.877.314.6040 F. 905.827.6375 or toll free 1.877.827.6040

All rights reserved. +osb™ reserves the right to change product specifications and material or discontinue models without notice.

[www.osb.ca](http://www.osb.ca) (Canada) [www.osbplumbing.com](http://www.osbplumbing.com) (USA)

06/01/26

