



SPECIFICATION SUBMITTAL

JOB:
CONTRACTOR:
ARCHITECT/ENGINEER:

25D -K
X - CLOSURE


FIRE-RATED PVC DIRECT WASTE & OVERFLOW KIT


DATE:
QTY:
PO#:
TAG:

SPECIFICATION

Features spin-on tie plate, angle adapter, and large strainer. Kit comes with elbow, less 1-1/2" pipe.

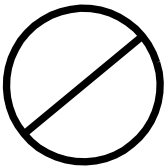
CERTIFICATION

 ASME A112.18.2/CSA-B125.2
The "cCSAus" Meets UPC & IPC
Code" mark means the product
conforms to the requirements of
the NPC, UPC, IPC, and IRC.

 CAN/ULC S102.2
Flame Spread Rating 0
Smoke Developed Rating 40

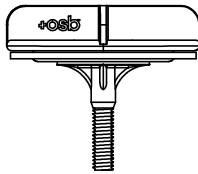
CLOSURES AVAILABLE
Fill X - CLOSURE

RI

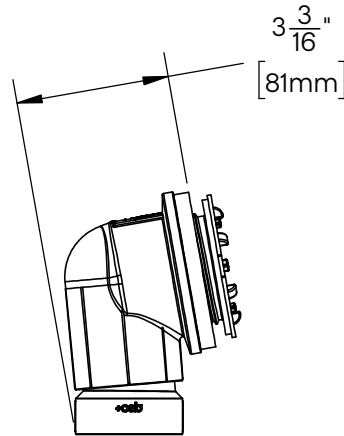


ROUGH-IN

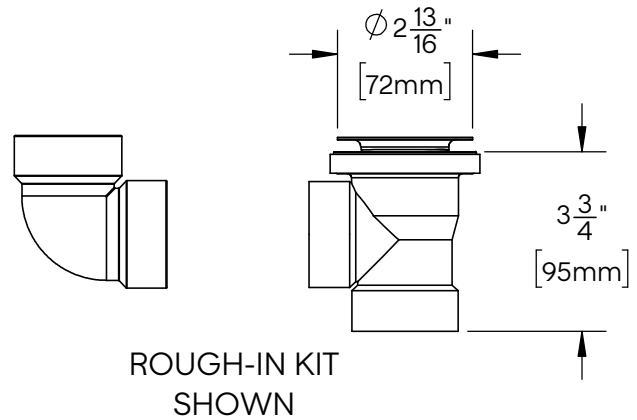
TDRI



TESTABLE
ROUGH-IN



25DTRDRI-K
SHOWN



ROUGH-IN KIT
SHOWN

Oakville Stamping and Bending Ltd.

T. 905.827.0320 or toll free 1.877.314.6040 F. 905.827.6375 or toll free 1.877.827.6040

All rights reserved. +osb™ reserves the right to change product specifications and material or discontinue models without notice.

www.osb.ca (Canada) www.osbplumbing.com (USA)

06/26/26

