



SPECIFICATION SUBMITTAL

31 DQ-20

X - FACEPLATE

Y - FINISH

NOTE: LB finish not available with Square faceplate

BRASS DIRECT WITH CLICKER® STANDARD WASTE & OVERFLOW

JOB:
CONTRACTOR:
ARCHITECT/ENGINEER:

DATE:
QTY:
PO#:
TAG:

SPECIFICATION

Features a SlideOn™ faceplate, spin-on tie plate and corrugated overflow arm. Clicker® stopper. For 20" bathtubs. Uses 1-1/2" brass pipe.

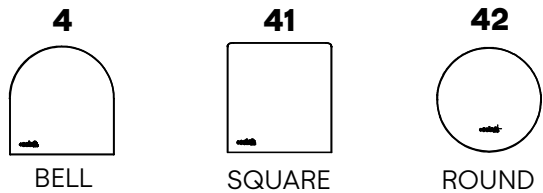
CERTIFICATION



ASME A112.18.2/CSA-B125.2
The "cCSAus" Meets UPC & IPC Code* mark means the product conforms to the requirements of the NPC, UPC, IPC, and IRC.

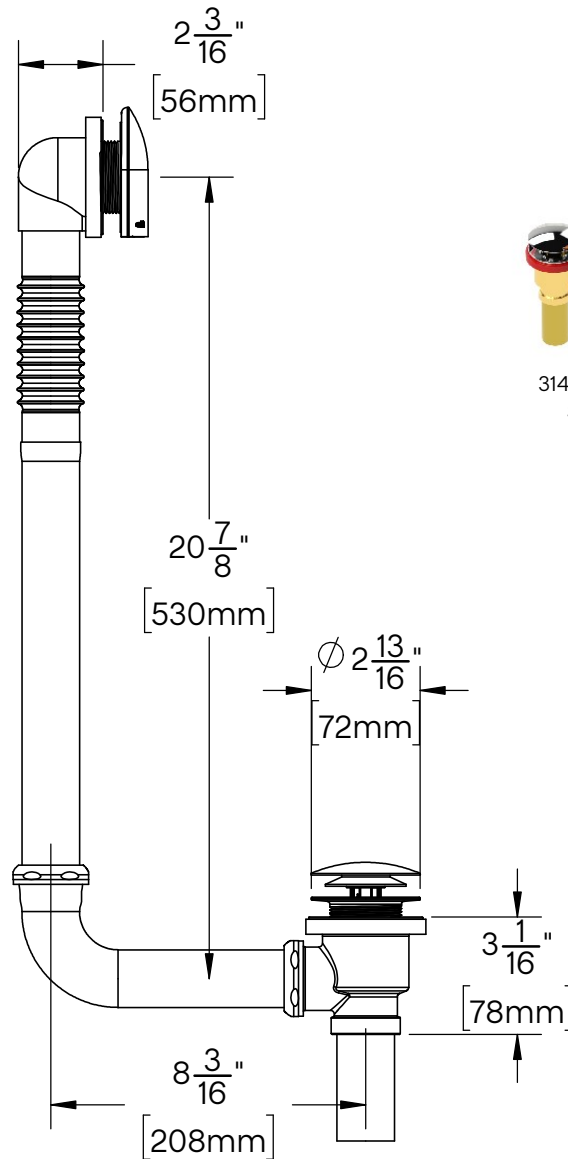
FACEPLATES AVAILABLE

Fill **X - FACEPLATE**



FINISHES AVAILABLE

Fill **Y - FINISH**



314DQ-20BCP SHOWN

Oakville Stamping and Bending Ltd.

T. 905.827.0320 or toll free 1.877.314.6040 F. 905.827.6375 or toll free 1.877.827.6040

All rights reserved. +osb™ reserves the right to change product specifications and material or discontinue models without notice.

www.osb.ca (Canada) www.osbplumbing.com (USA)

05/26/26

