



# 31 TIP-20

X - FACEPLATE

Y - FINISH

## SPECIFICATION SUBMITTAL

JOB:  
 CONTRACTOR:  
 ARCHITECT/ENGINEER:

DATE:  
 QTY:  
 PO#:  
 TAG:

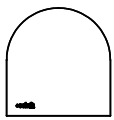
### SPECIFICATION

Features a SlideOn™ faceplate, spin-on tie plate and corrugated overflow arm. Tip-Toe stopper. For 20" bathtubs. Uses 1-1/2" brass pipe.

### FACEPLATES AVAILABLE

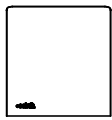
Fill X - FACEPLATE

4



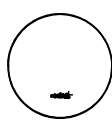
BELL

41



SQUARE

42



ROUND

### FINISHES AVAILABLE

Fill Y - FINISH

BN



BRUSHED NICKEL

CP

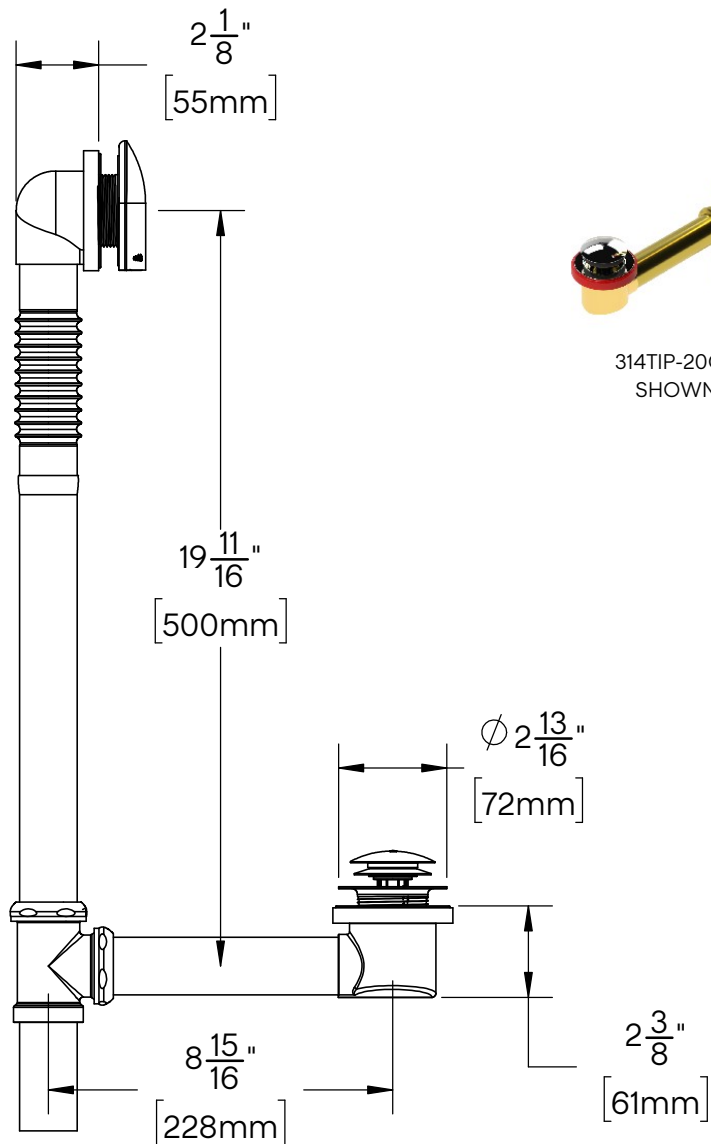


CHROME PLATED

### CERTIFICATION



ASME A112.18.2/CSA-B125.2  
 The "cSAus" Meets UPC & IPC Code\* mark means the product conforms to the requirements of the NPC, UPC, IPC, and IRC.



314TIP-20CP SHOWN

Oakville Stamping and Bending Ltd.

T. 905.827.0320 or toll free 1.877.314.6040 F. 905.827.6375 or toll free 1.877.827.6040

All rights reserved. +osb™ reserves the right to change product specifications and material or discontinue models without notice.

www.osb.ca (Canada) www.osbplumbing.com (USA)

05/27/26

