



SPECIFICATION SUBMITTAL

JOB:
CONTRACTOR:
ARCHITECT/ENGINEER:

31 TIP-CP

X - FACEPLATE

BRASS OFFSET WITH TIP-TOE STANDARD WASTE & OVERFLOW

DATE:
QTY:
PO#:
TAG:

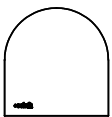
SPECIFICATION

Features a SlideOn™ faceplate, spin-on tie plate and corrugated overflow arm. Tip-Toe stopper. For 16" bathtubs. Uses 1-1/2" brass pipe.

FACEPLATES AVAILABLE

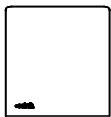
Fill X - FACEPLATE

4



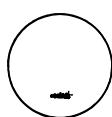
BELL

41



SQUARE

42



ROUND

FINISHES AVAILABLE

CP



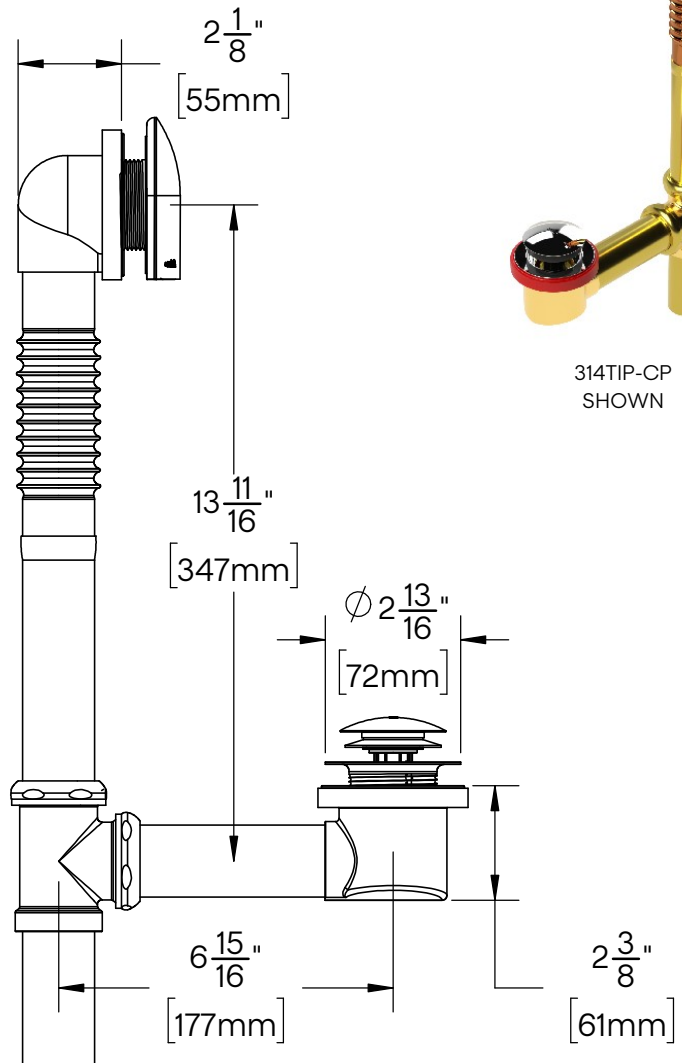
CHROME
PLATED

CERTIFICATION



Meets UPC & IPC Code

ASME A112.18.2/CSA-B125.2
The "cCSAus" Meets UPC & IPC Code® mark means the product conforms to the requirements of the NPC, UPC, IPC, and IRC.



314TIP-CP
SHOWN

Oakville Stamping and Bending Ltd.

T. 905.827.0320 or toll free 1.877.314.6040 F. 905.827.6375 or toll free 1.877.827.6040

All rights reserved. +osb™ reserves the right to change product specifications and material or discontinue models without notice.

www.osb.ca (Canada) www.osbplumbing.com (USA)

05/27/26

