



**SPECIFICATION SUBMITTAL**

SEE CONFIGURATION TABLE

**SCHEDULE 40 PVC OFFSET TESTABLE ROUGH-IN WASTE & OVERFLOW**

JOB:  
 CONTRACTOR:  
 ARCHITECT/ENGINEER:

DATE:  
 QTY:  
 PO#:  
 TAG:

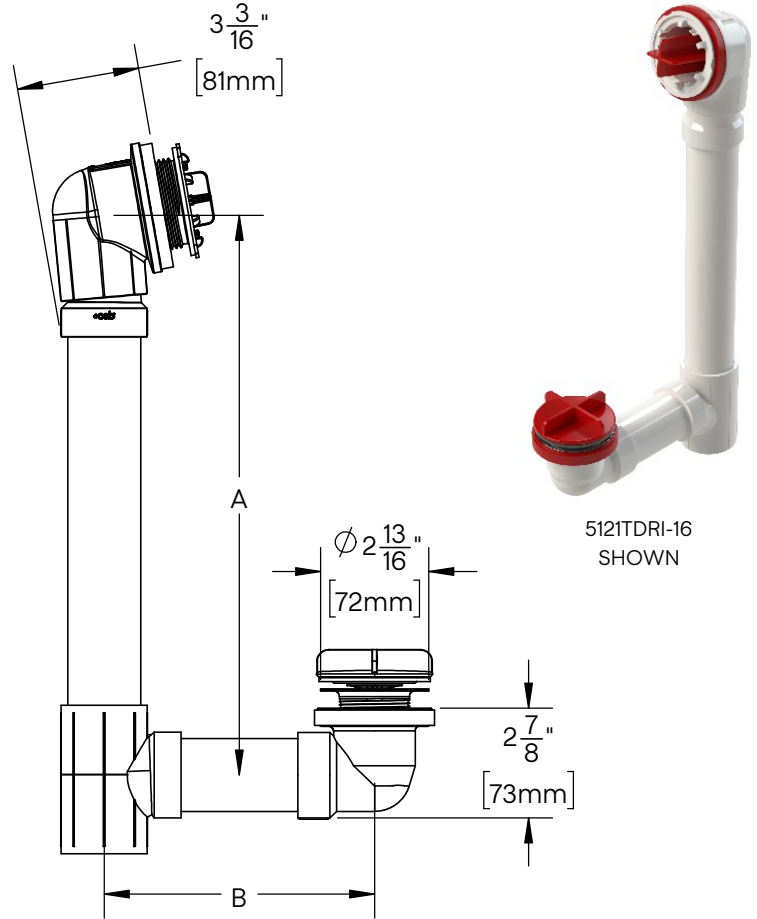
**SPECIFICATION**

Features a spin-on tie plate, angle adapter, large strainer, and test plugs. For 1-1/2" PVC pipe. Kit comes less pipe, half kit comes less pipe and tee.

**CERTIFICATION**



ASME A112.18.2/CSA-B125.2  
 The "cCSAus" Meets UPC & IPC  
 Code" mark means the product conforms to the requirements of the NPC, UPC, IPC, and IRC.



**CONFIGURATIONS AVAILABLE**

Configuration	A	B
<b>5121TDRI-16</b>	14 9/16" [370mm]	7 1/16" [179mm]
<b>5121TDRI-20</b>	21 5/16" [541mm]	8 9/16" [217mm]
<b>5121TDRI-K</b>	Less pipe	
<b>5121TDRI-HK</b>	Less pipe and tee	

**Oakville Stamping and Bending Ltd.**

T. 905.827.0320 or toll free 1.877.314.6040 F. 905.827.6375 or toll free 1.877.827.6040

All rights reserved. +osb™ reserves the right to change product specifications and material or discontinue models without notice.

[www.osb.ca](http://www.osb.ca) (Canada) [www.osbplumbing.com](http://www.osbplumbing.com) (USA)

05/06/26

