



SPECIFICATION SUBMITTAL

JOB:
 CONTRACTOR:
 ARCHITECT/ENGINEER:

515_QHK-

X - FACEPLATE

Y - FINISH

NOTE: LB finish not available with square faceplate

SCHEDULE 40 PVC OFFSET WITH CLICKER® WASTE & OVERFLOW HALF KIT

DATE:
 QTY:
 PO#:
 TAG:

SPECIFICATION

Features a SlideOn™ faceplate, spin-on tie plate and angle adapter. Large strainer with Clicker® stopper. Half kit comes less tee, less 1-1/2" pipe.

CERTIFICATION

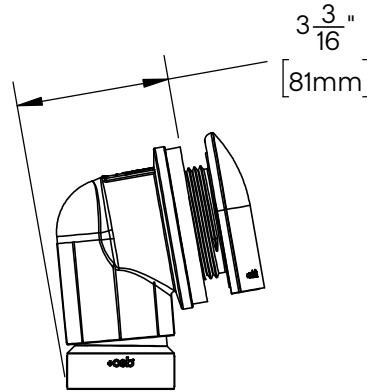
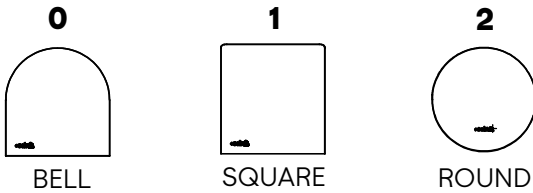


ASME A112.18.2/CSA-B125.2
 The "cCSAus" Meets UPC & IPC Code* mark means the product conforms to the requirements of the NPC, UPC, IPC, and IRC.



FACEPLATES AVAILABLE

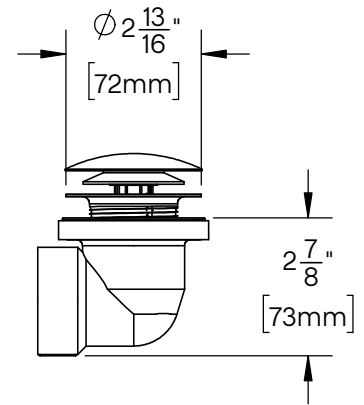
Fill X - FACEPLATE



5150QHK-CP SHOWN

FINISHES AVAILABLE

Fill Y - FINISH



Oakville Stamping and Bending Ltd.

T. 905.827.0320 or toll free 1.877.314.6040 F. 905.827.6375 or toll free 1.877.827.6040
 All rights reserved. +osb™ reserves the right to change product specifications and material or discontinue models without notice.
 www.osb.ca (Canada) www.osbplumbing.com (USA)
 04/16/26

