



SPECIFICATION SUBMITTAL

515 TIPK-

X - FACEPLATE

Y - FINISH

SCHEDULE 40 PVC OFFSET WITH TIP-TOE WASTE & OVERFLOW KIT

JOB:
CONTRACTOR:
ARCHITECT/ENGINEER:

DATE:
QTY:
PO#:
TAG:

SPECIFICATION

Features a SlideOn™ faceplate, spin-on tie plate and angle adapter. Large strainer with Tip-Toe stopper. Kit comes with tee, less 1-1/2" PVC pipe.

CERTIFICATION

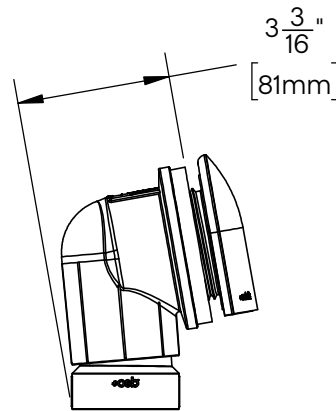
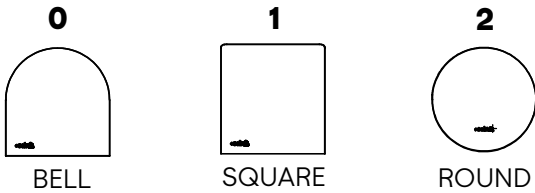


ASME A112.18.2/CSA-B125.2
The "cCSAus" Meets UPC & IPC Code® mark means the product conforms to the requirements of the NPC, UPC, IPC, and IRC.



FACEPLATES AVAILABLE

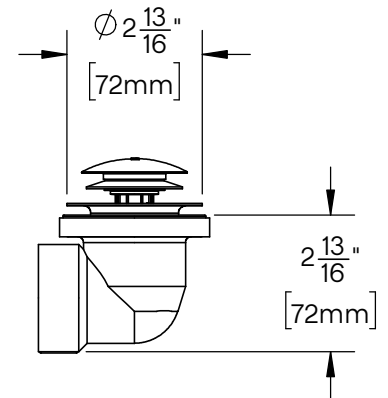
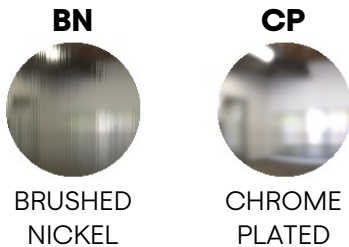
Fill X - FACEPLATE



5150TIPK-CP SHOWN

FINISHES AVAILABLE

Fill Y - FINISH



Oakville Stamping and Bending Ltd.

T. 905.827.0320 or toll free 1.877.314.6040 F. 905.827.6375 or toll free 1.877.827.6040

All rights reserved. +osb™ reserves the right to change product specifications and material or discontinue models without notice.

www.osb.ca (Canada) www.osbplumbing.com (USA)

05/07/26

