



SPECIFICATION SUBMITTAL

SEE CONFIGURATION TABLE

SCHEDULE 40 PVC DIRECT ROUGH-IN WASTE & OVERFLOW

JOB:
 CONTRACTOR:
 ARCHITECT/ENGINEER:

DATE:
 QTY:
 PO#:
 TAG:

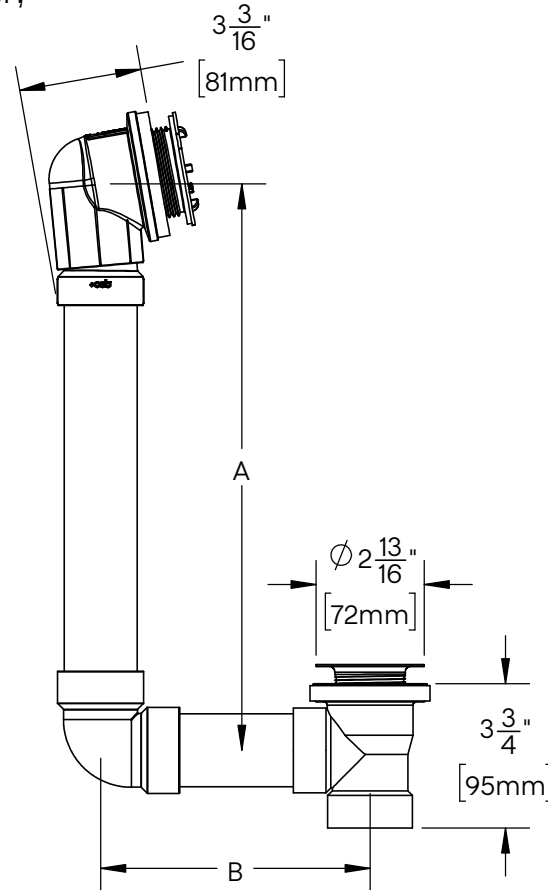
SPECIFICATION

Features a spin-on tie plate, angle adapter, and large strainer. For 1-1/2" PVC pipe. Kit comes less pipe, half kit comes less pipe and elbow.

CERTIFICATION



ASME A112.18.2/CSA-B125.2
 The "cCSAus" Meets UPC & IPC
 Code* mark means the product
 conforms to the requirements of
 the NPC, UPC, IPC, and IRC.



52DRI-16
 SHOWN

CONFIGURATIONS AVAILABLE

Configuration	A	B
52DRI-16	14 3/4" [375mm]	7" [178mm]
52DRI-20	21 1/2" [546mm]	8 1/2" [216mm]
52DRI-K	Less pipe	
52DRI-HK	Less pipe and elbow	

Oakville Stamping and Bending Ltd.

T. 905.827.0320 or toll free 1.877.314.6040 F. 905.827.6375 or toll free 1.877.827.6040

All rights reserved. +osb™ reserves the right to change product specifications and material or discontinue models without notice.

www.osb.ca (Canada) www.osbplumbing.com (USA)

05/05/26

