



SPECIFICATION SUBMITTAL

JOB:
 CONTRACTOR:
 ARCHITECT/ENGINEER:

5 DQ-

X - FACEPLATE

Y - FINISH

NOTE: LB finish not available with square faceplate

SCHEDULE 40 PVC DIRECT WITH CLICKER® STANDARD WASTE & OVERFLOW

DATE:
 QTY:
 PO#:
 TAG:

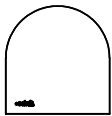
SPECIFICATION

Features a SlideOn™ faceplate, spin-on tie plate and angle adapter. Large strainer with Clicker® stopper. For 16" bathtubs. Uses 1-1/2" PVC pipe.

FACEPLATES AVAILABLE

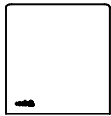
Fill **X - FACEPLATE**

4



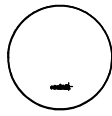
BELL

41



SQUARE

42



ROUND

FINISHES AVAILABLE

Fill **Y - FINISH**

BCP



BRASS CHROME PLATED

BG



BRUSHED GOLD

BN



BRUSHED NICKEL

CP



CHROME PLATED

LB



LUXE BRONZE

MBL



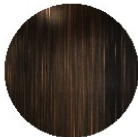
MATTE BLACK

POLN



POLISHED NICKEL

VB



VENETIAN BRONZE

W

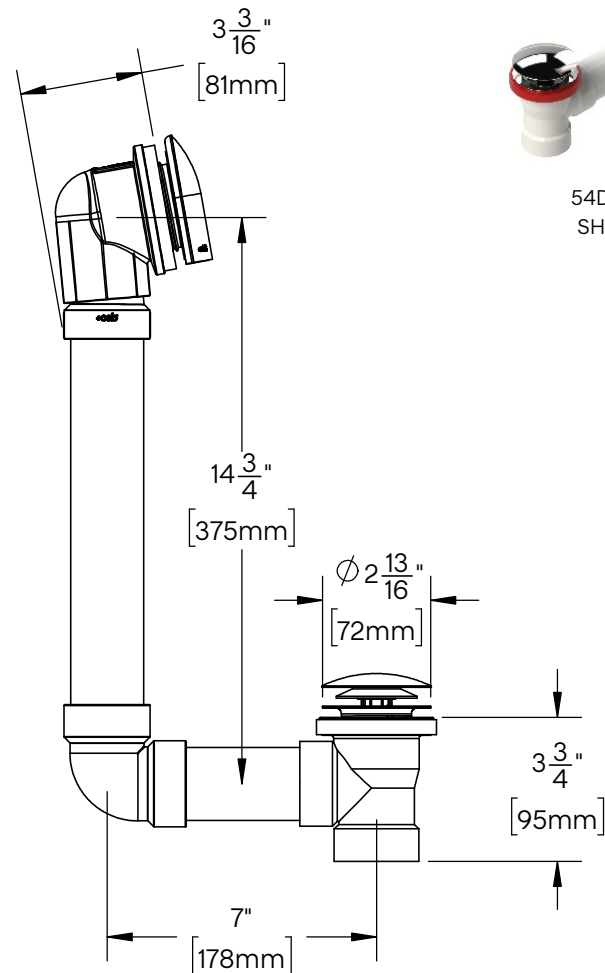


WHITE

CERTIFICATION



ASME A112.18.2/CSA-B125.2
 The "cSAus" Meets UPC & IPC Code" mark means the product conforms to the requirements of the NPC, UPC, IPC, and IRC.



54DQ-CP SHOWN

Oakville Stamping and Bending Ltd.

T. 905.827.0320 or toll free 1.877.314.6040 F. 905.827.6375 or toll free 1.877.827.6040

All rights reserved. +osb™ reserves the right to change product specifications and material or discontinue models without notice.

www.osb.ca (Canada) www.osbplumbing.com (USA)

05/01/26

