



SPECIFICATION SUBMITTAL

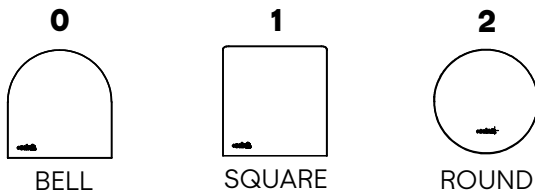
JOB:
CONTRACTOR:
ARCHITECT/ENGINEER:

SPECIFICATION

Features a SlideOn™ faceplate, spin-on tie plate and angle adapter. Large strainer with Clicker® stopper. Kit comes with tee, less 1-1/2" pipe.

FACEPLATES AVAILABLE

Fill **X** - FACEPLATE



FINISHES AVAILABLE

Fill **Y** - FINISH



Oakville Stamping and Bending Ltd.

T. 905.827.0320 or toll free 1.877.314.6040 F. 905.827.6375 or toll free 1.877.827.6040

All rights reserved. +osb™ reserves the right to change product specifications and material or discontinue models without notice.

www.osb.ca (Canada) www.osbplumbing.com (USA)

04/15/26

604_QK-

X - FACEPLATE

Y - FINISH

NOTE: LB finish not available with square faceplate

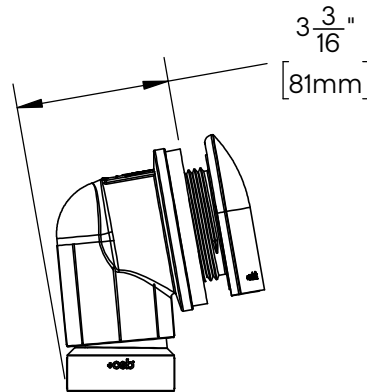
SCHEDULE 40 ABS OFFSET WITH CLICKER® WASTE & OVERFLOW KIT

DATE:
QTY:
PO#:
TAG:

CERTIFICATION



ASME A112.18.2/CSA-B125.2
The "cCSAus" Meets UPC & IPC Code® mark means the product conforms to the requirements of the NPC, UPC, IPC, and IRC.



6040QK-CP SHOWN

