



SPECIFICATION SUBMITTAL

604 TIP-20CP

X - FACEPLATE

SCHEDULE 40 ABS OFFSET WITH TIP-TOE
EXTENDED WASTE & OVERFLOW

JOB:
CONTRACTOR:
ARCHITECT/ENGINEER:

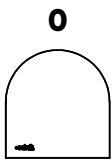
DATE:
QTY:
PO#:
TAG:

SPECIFICATION

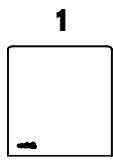
Features a SlideOn™ faceplate, spin-on tie plate and angle adapter. Large strainer with Tip-Toe stopper. For 20" bathtubs. Uses 1-1/2" ABS pipe.

FACEPLATES AVAILABLE

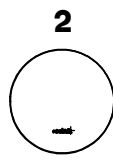
Fill **X** - FACEPLATE



BELL



SQUARE

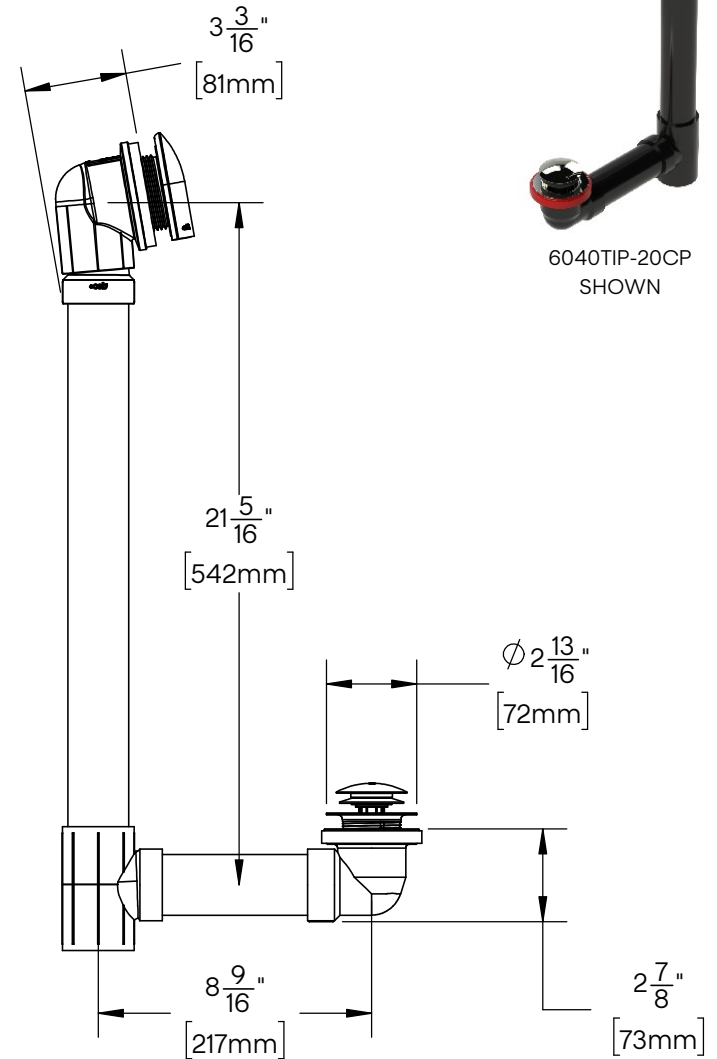


ROUND

CERTIFICATION



ASME A112.18.2/CSA-B125.2
The "cSAus" Meets UPC & IPC Code* mark means the product conforms to the requirements of the NPC, UPC, IPC, and IRC.



6040TIP-20CP
SHOWN

Oakville Stamping and Bending Ltd.

T. 905.827.0320 or toll free 1.877.314.6040 F. 905.827.6375 or toll free 1.877.827.6040

All rights reserved. +osb™ reserves the right to change product specifications and material or discontinue models without notice.

www.osb.ca (Canada) www.osbplumbing.com (USA)

05/07/26

