



**SPECIFICATION SUBMITTAL**

# 604 TIPHK-

X - FACEPLATE

Y - FINISH

## SCHEDULE 40 ABS OFFSET WITH TIP-TOE WASTE & OVERFLOW HALF KIT

JOB:  
CONTRACTOR:  
ARCHITECT/ENGINEER:

DATE:  
QTY:  
PO#:  
TAG:

### SPECIFICATION

Features a SlideOn™ faceplate, spin-on tie plate and angle adapter. Large strainer with Tip-Toe stopper. Half kit comes less tee, less 1-1/2" pipe.

### CERTIFICATION

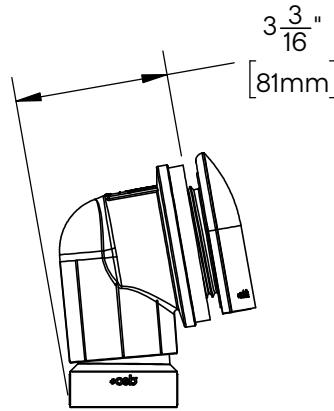
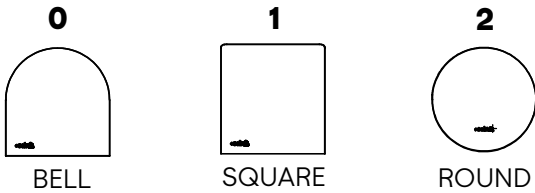


ASME A112.18.2/CSA-B125.2  
The "cCSAus" Meets UPC & IPC Code® mark means the product conforms to the requirements of the NPC, UPC, IPC, and IRC.



### FACEPLATES AVAILABLE

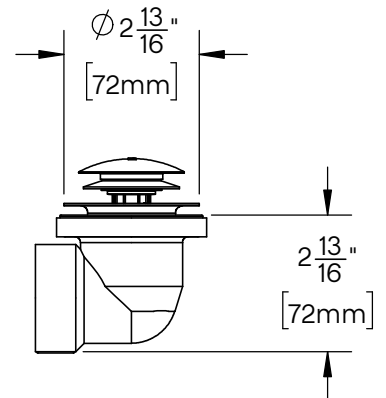
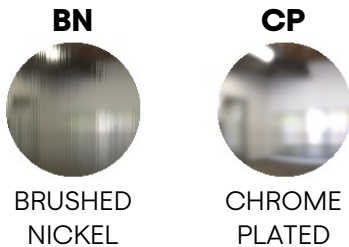
Fill X - FACEPLATE



6040TIPHK-CP SHOWN

### FINISHES AVAILABLE

Fill Y - FINISH



**Oakville Stamping and Bending Ltd.**

T. 905.827.0320 or toll free 1.877.314.6040 F. 905.827.6375 or toll free 1.877.827.6040

All rights reserved. +osb™ reserves the right to change product specifications and material or discontinue models without notice.

[www.osb.ca](http://www.osb.ca) (Canada) [www.osbplumbing.com](http://www.osbplumbing.com) (USA)

05/07/26

