



6 DQ-20

X - FACEPLATE

Y - FINISH

NOTE: LB finish not available with square faceplate

SPECIFICATION SUBMITTAL

SCHEDULE 40 ABS DIRECT WITH CLICKER® EXTENDED WASTE & OVERFLOW

JOB:
CONTRACTOR:
ARCHITECT/ENGINEER:

DATE:
QTY:
PO#:
TAG:

SPECIFICATION

Features a SlideOn™ faceplate, spin-on tie plate and angle adapter. Large strainer with Clicker® stopper. For 20" bathtubs. Uses 1-1/2" ABS pipe.

CERTIFICATION

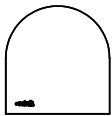


ASME A112.18.2/CSA-B125.2
The "cCSAus" Meets UPC & IPC Code® mark means the product conforms to the requirements of the NPC, UPC, IPC, and IRC.

FACEPLATES AVAILABLE

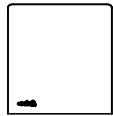
Fill **X** - FACEPLATE

4



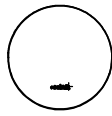
BELL

41



SQUARE

42



ROUND

FINISHES AVAILABLE

Fill **Y** - FINISH

BCP



BRASS
CHROME PLATED

BG



BRUSHED
GOLD

BN



BRUSHED
NICKEL

CP



CHROME
PLATED

LB



LUXE
BRONZE

MBL



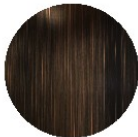
MATTE
BLACK

POLN



POLISHED
NICKEL

VB

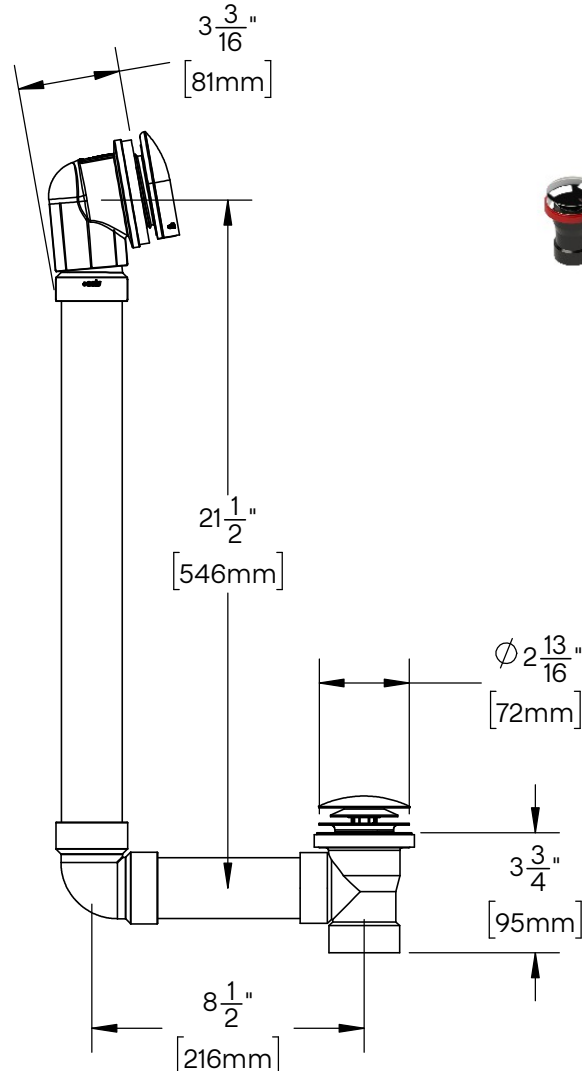


VENETIAN
BRONZE

W



WHITE



64DQ-20CP
SHOWN

Oakville Stamping and Bending Ltd.

T. 905.827.0320 or toll free 1.877.314.6040 F. 905.827.6375 or toll free 1.877.827.6040

All rights reserved. +osb™ reserves the right to change product specifications and material or discontinue models without notice.

www.osb.ca (Canada) www.osbplumbing.com (USA)

05/01/26

