



SPECIFICATION SUBMITTAL

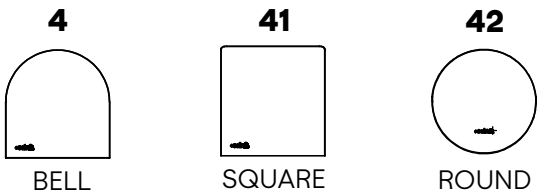
JOB:
 CONTRACTOR:
 ARCHITECT/ENGINEER:

SPECIFICATION

Features a SlideOn™ faceplate, spin-on tie plate and angle adapter. Large strainer with Clicker® stopper. For 16" bathtubs. Uses 1-1/2" ABS pipe.

FACEPLATES AVAILABLE

Fill **X** - FACEPLATE



FINISHES AVAILABLE

Fill **Y** - FINISH



6 DQ-

X - FACEPLATE

Y - FINISH

NOTE: LB finish not available with square faceplate

SCHEDULE 40 ABS DIRECT WITH CLICKER® STANDARD WASTE & OVERFLOW

DATE:
 QTY:
 PO#:
 TAG:

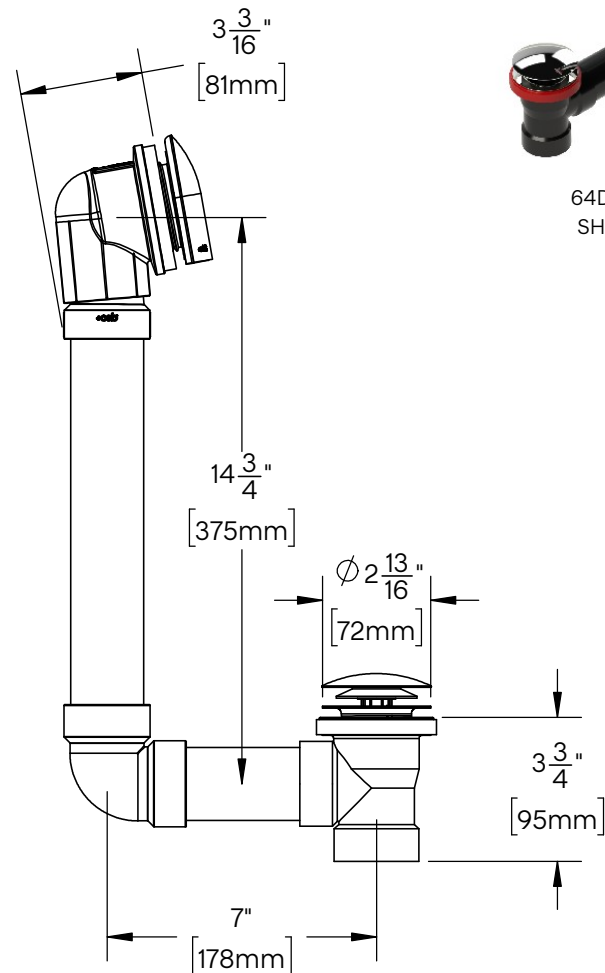
CERTIFICATION



ASME A112.18.2/CSA-B125.2
 The "cSAus" Meets UPC & IPC Code® mark means the product conforms to the requirements of the NPC, UPC, IPC, and IRC.



64DQ-CP SHOWN



Oakville Stamping and Bending Ltd.

T. 905.827.0320 or toll free 1.877.314.6040 F. 905.827.6375 or toll free 1.877.827.6040

All rights reserved. +osb™ reserves the right to change product specifications and material or discontinue models without notice.

www.osb.ca (Canada) www.osbplumbing.com (USA)

05/01/26

