



**SPECIFICATION SUBMITTAL**

**6 DQHK-**

**X - FACEPLATE**

**Y - FINISH**

NOTE: LB finish not available with square faceplate

**SCHEDULE 40 ABS DIRECT WITH CLICKER® WASTE & OVERFLOW HALF KIT**

JOB:  
CONTRACTOR:  
ARCHITECT/ENGINEER:

DATE:  
QTY:  
PO#:  
TAG:

**SPECIFICATION**

Features a SlideOn™ faceplate, spin-on tie plate and angle adapter. Large strainer with Clicker® stopper. Half kit comes less elbow, less 1-1/2" ABS pipe.

**CERTIFICATION**



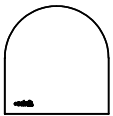
ASME A112.18.2/CSA-B125.2  
The "cCSAus" Meets UPC & IPC Code" mark means the product conforms to the requirements of the NPC, UPC, IPC, and IRC.



**FACEPLATES AVAILABLE**

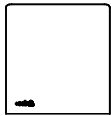
Fill **X - FACEPLATE**

**4**



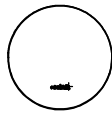
BELL

**41**



SQUARE

**42**



ROUND

**FINISHES AVAILABLE**

Fill **Y - FINISH**

**BCP**



BRASS CHROME PLATED

**BG**



BRUSHED GOLD

**BN**



BRUSHED NICKEL

**CP**



CHROME PLATED

**LB**



LUXE BRONZE

**MBL**



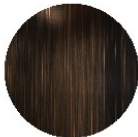
MATTE BLACK

**POLN**



POLISHED NICKEL

**VB**

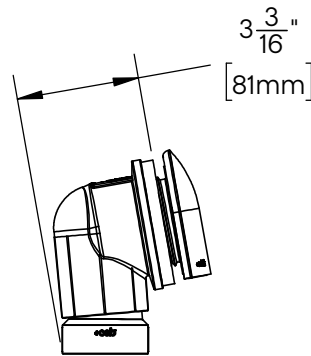


VENETIAN BRONZE

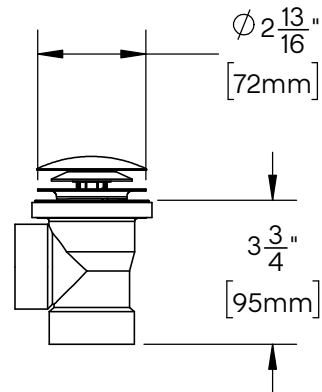
**W**



WHITE



64DQHK-CP SHOWN



**Oakville Stamping and Bending Ltd.**

T. 905.827.0320 or toll free 1.877.314.6040 F. 905.827.6375 or toll free 1.877.827.6040

All rights reserved. +osb™ reserves the right to change product specifications and material or discontinue models without notice.

[www.osb.ca](http://www.osb.ca) (Canada) [www.osbplumbing.com](http://www.osbplumbing.com) (USA)

05/01/26

