



SPECIFICATION SUBMITTAL

SEE CONFIGURATION TABLE

SCHEDULE 40 ABS DIRECT TESTABLE ROUGH-IN WASTE & OVERFLOW

JOB:
 CONTRACTOR:
 ARCHITECT/ENGINEER:

DATE:
 QTY:
 PO#:
 TAG:

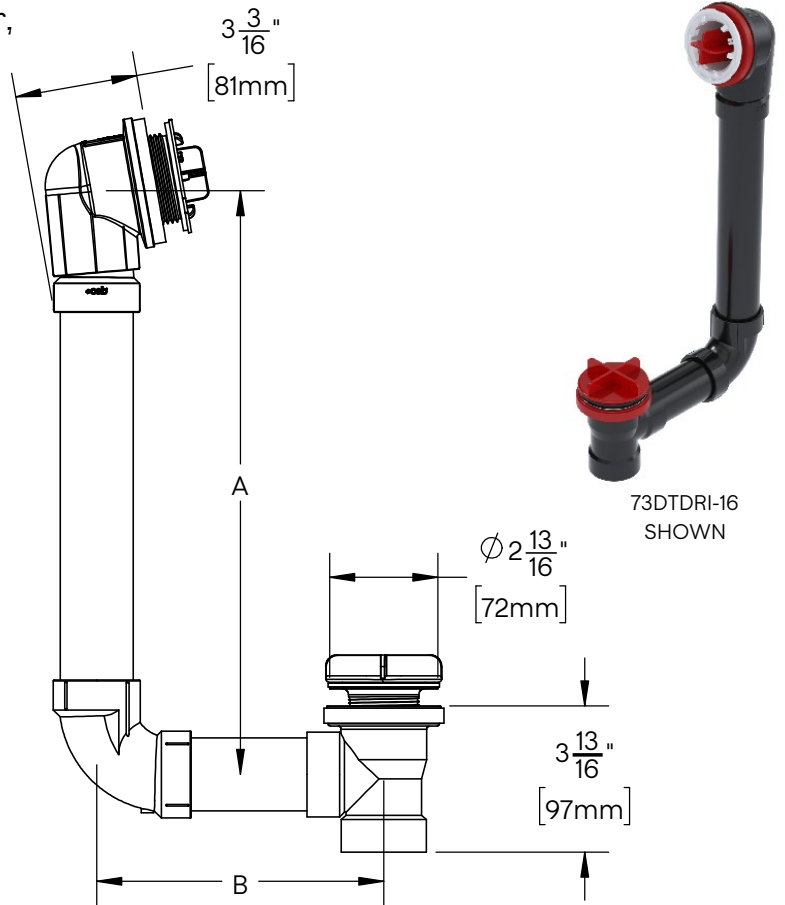
SPECIFICATION

Features a spin-on tie plate, angle adapter, and large strainer. For 1-1/2" ABS pipe. Kit comes less pipe, half kit comes less pipe and elbow.

CERTIFICATION



ASME A112.18.2/CSA-B125.2
 The "cCSAus" Meets UPC & IPC
 Code* mark means the product
 conforms to the requirements of
 the NPC, UPC, IPC, and IRC.



CONFIGURATIONS AVAILABLE

Configuration	A	B
73DTDRI-16	15 3/16" [386mm]	7 1/2" [190mm]
73DTDRI-20	21 15/16" [558mm]	9" [228mm]
73DTDRI-K	Less pipe	
73DTDRI-HK	Less pipe and elbow	

Oakville Stamping and Bending Ltd.

T. 905.827.0320 or toll free 1.877.314.6040 F. 905.827.6375 or toll free 1.877.827.6040

All rights reserved. +osb™ reserves the right to change product specifications and material or discontinue models without notice.

www.osb.ca (Canada) www.osbplumbing.com (USA)

05/06/26

