

**ROUND SERENITY™ TRIM, 3" OUTLET  
 FOR MOLDED (PREFORMED) SHOWER BASES**


JOB:  
 CONTRACTOR:  
 ARCHITECT/ENGINEER:

DATE:  
 QTY:  
 PO#:  
 TAG:

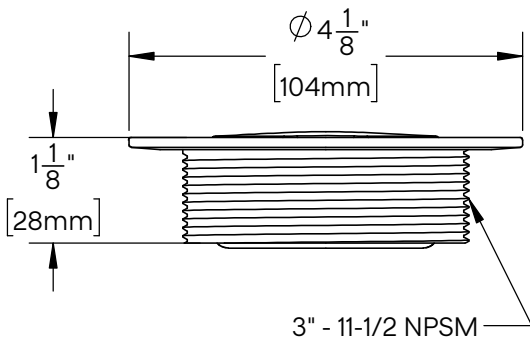
**SPECIFICATION**

4" round trim with a 3" threaded drain outlet.  
 Solid brass construction. Features a removable insert  
 for easy cleaning. Stainless steel hair catcher supplied.  
 Requires Underbody - sold separately.

**CERTIFICATION**

 ASME A112.18.2/CSA-B125.2  
 The "cCSAus" Meets UPC & IPC  
 Code" mark means the product  
 conforms to the requirements of  
 the NPC, UPC, IPC, and IRC.

**STYLES AVAILABLE**  
 Fill X - GRATE TYPE



**FINISHES AVAILABLE**  
 Fill Y - FINISH



**Oakville Stamping and Bending Ltd.**

T. 905.827.0320 or toll free 1.877.314.6040 F. 905.827.6375 or toll free 1.877.827.6040

All rights reserved. +osb™ reserves the right to change product specifications and material or  
 discontinue models without notice.

[www.osb.ca](http://www.osb.ca) (Canada) [www.osbplumbing.com](http://www.osbplumbing.com) (USA)

04/08/26