

+osb™ luxe
SERENITY™
 SPECIFICATION SUBMITTAL

BCS.
 X - GRATE TYPE Y - FINISH

**SQUARE SERENITY™ TRIM, 2" OUTLET
 FOR TILE SHOWER BASES**

JOB:
 CONTRACTOR:
 ARCHITECT/ENGINEER:

DATE:
 QTY:
 PO#:
 TAG:

SPECIFICATION

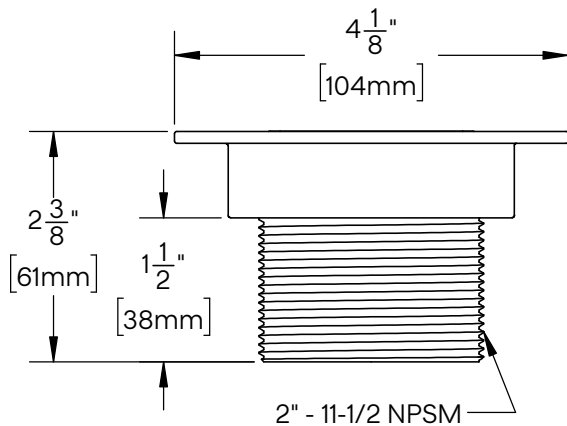
4" square trim with a 2" threaded drain outlet.
 Solid brass construction. Features a removable insert
 for easy cleaning. Stainless steel hair catcher supplied.
 Requires Underbody - sold separately.

CERTIFICATION



ASME A112.18.2/CSA-B125.2
 The "cCSAus" Meets UPC & IPC
 Code" mark means the product
 conforms to the requirements of
 the NPC, UPC, IPC, and IRC.

STYLES AVAILABLE
 Fill X - GRATE TYPE



FLAT



SLOTTED



STAINLESS STEEL
 HAIR CATCHER
 (INCLUDED)

FINISHES AVAILABLE
 Fill Y - FINISH



Oakville Stamping and Bending Ltd.

T. 905.827.0320 or toll free 1.877.314.6040 F. 905.827.6375 or toll free 1.877.827.6040

All rights reserved. +osb™ reserves the right to change product specifications and material or
 discontinue models without notice.

www.osb.ca (Canada) www.osbplumbing.com (USA)

04/10/26

