

UNDERBODIES FOR BCS.100 AND BCS.150 TRIM FOR MOLDED (PREFORMED) SHOWER BASES

JOB:
 CONTRACTOR:
 ARCHITECT/ENGINEER:

DATE:
 QTY:
 PO#:
 TAG:

SPECIFICATION

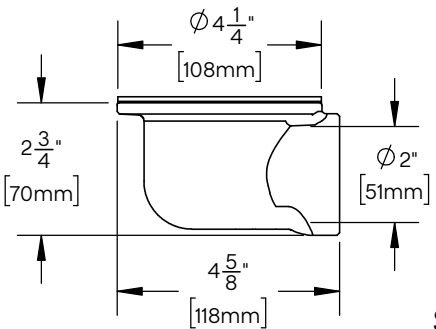
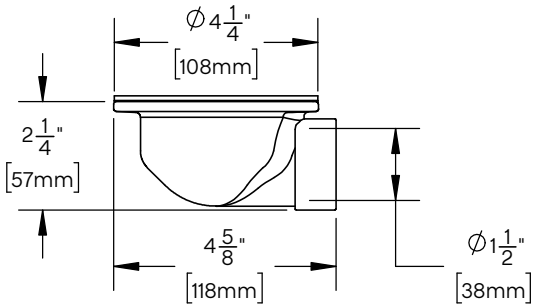
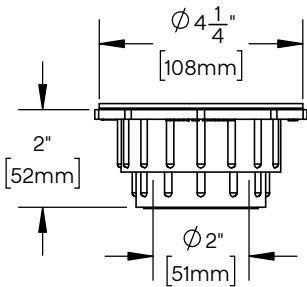
Underbodies for molded shower bases. Accepts 3" trim outlet. Available as straight (ABS, PVC, FR-PVC) or side discharge (ABS, PVC, brass). Reducing bushing (2" x 1-1/2") included for ABS, PVC, FR-PVC.

CERTIFICATION



ASME A112.18.2/CSA-B125.2
 The "cCSAus" Meets UPC & IPC
 Code" mark means the product
 conforms to the requirements of
 the NPC, UPC, IPC, and IRC.

UNDERBODIES AVAILABLE
 Fill **Z - UNDERBODY**



Oakville Stamping and Bending Ltd.

T. 905.827.0320 or toll free 1.877.314.6040 F. 905.827.6375 or toll free 1.877.827.6040

All rights reserved. +osb™ reserves the right to change product specifications and material or discontinue models without notice.

www.osb.ca (Canada) www.osbplumbing.com (USA)

04/08/26

