

# +osb<sup>™</sup> luxe

## SERENITY<sup>™</sup>

### SPECIFICATION SUBMITTAL

# BCS.

Z - UNDERBODY

**UNDERBODIES FOR TRIM**  
**BCS.102, 152, 202, 252, 502**  
**FOR TILE SHOWER BASES**

JOB:  
 CONTRACTOR:  
 ARCHITECT/ENGINEER:

DATE:  
 QTY:  
 PO#:  
 TAG:

### SPECIFICATION

Underbodies for tile shower bases. Accepts 2" trim outlet. Available as straight (ABS, PVC, FR-PVC, cast iron) or side discharge (brass). Reducing bushing (2" x 1-1/2") included for ABS, PVC, FR-PVC.

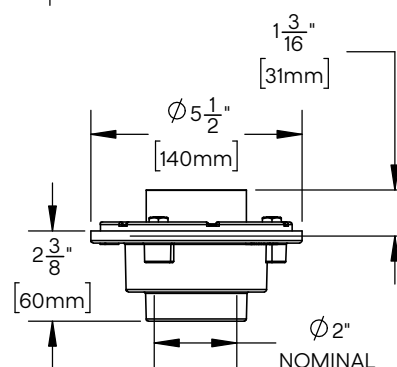
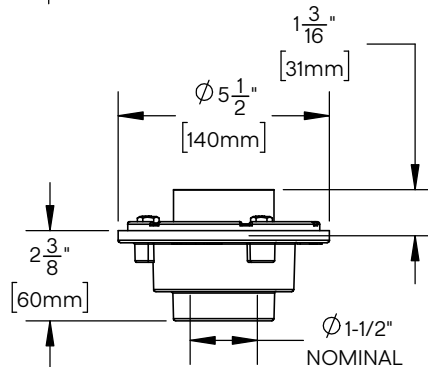
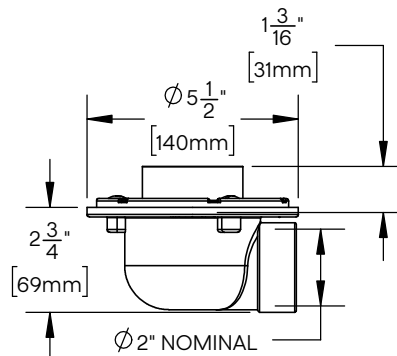
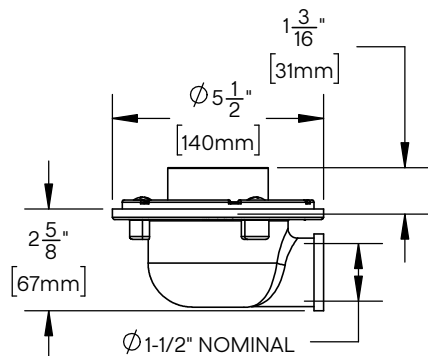
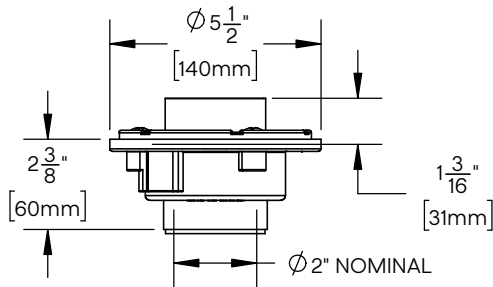
### CERTIFICATION



ASME A112.18.2/CSA-B125.2  
 The "cCSAus" Meets UPC & IPC  
 Code" mark means the product  
 conforms to the requirements of  
 the NPC, UPC, IPC, and IRC.

### UNDERBODIES AVAILABLE

Fill **Z** - UNDERBODY



**Oakville Stamping and Bending Ltd.**

T. 905.827.0320 or toll free 1.877.314.6040 F. 905.827.6375 or toll free 1.877.827.6040

All rights reserved. +osb<sup>™</sup> reserves the right to change product specifications and material or discontinue models without notice.

[www.osb.ca](http://www.osb.ca) (Canada) [www.osbplumbing.com](http://www.osbplumbing.com) (USA)

04/09/26

+osb<sup>™</sup> and done.