



SPECIFICATION SUBMITTAL

SEE PRODUCT CODE

PVC NO-CAULK SHOWER DRAIN FOR MOLDED BASES

JOB:
CONTRACTOR:
ARCHITECT/ENGINEER:

DATE:
QTY:
PO#:
TAG:

SPECIFICATION

PVC no-caulk shower drain with 2" nominal outlet for use with molded bases. Includes a round snap-fit grate.



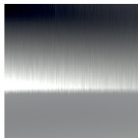
FINISHES AVAILABLE

Fill PRODUCT CODE

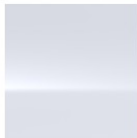
SD12-MBL SD12 SD12-W



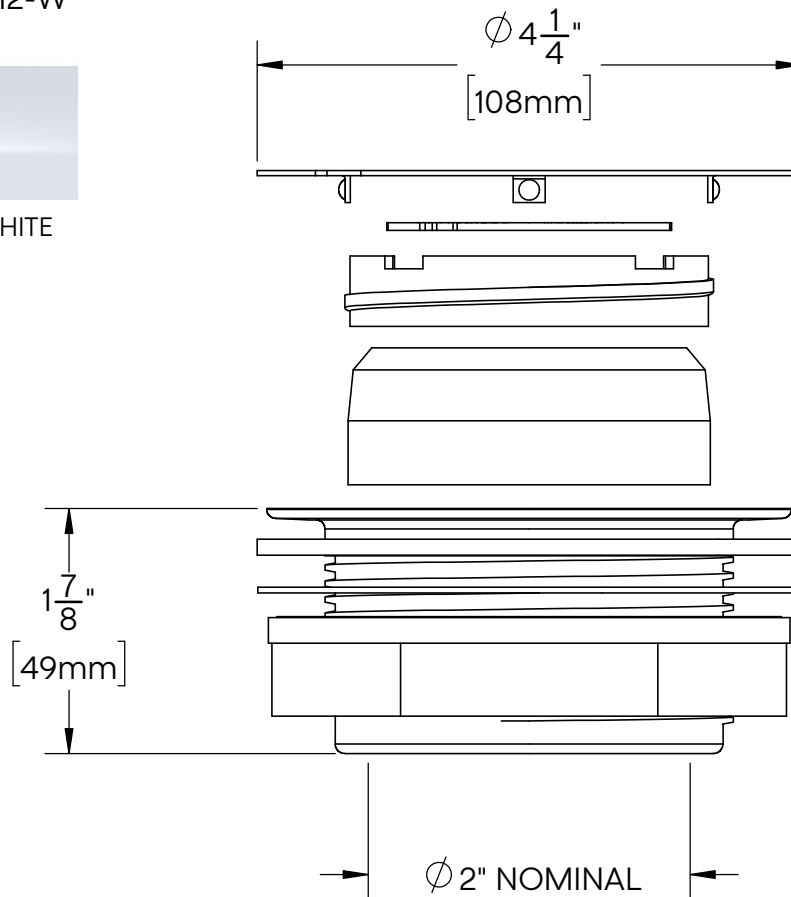
MATTE
BLACK



STAINLESS
STEEL



WHITE



Oakville Stamping and Bending Ltd.

T. 905.827.0320 or toll free 1.877.314.6040 F. 905.827.6375 or toll free 1.877.827.6040

All rights reserved. +osb™ reserves the right to change product specifications and material or discontinue models without notice.

www.osb.ca (Canada) www.osbplumbing.com (USA)

02/18/26

