



**SPECIFICATION SUBMITTAL**

JOB:  
CONTRACTOR:  
ARCHITECT/ENGINEER:

DATE:  
QTY:  
PO#:  
TAG:

SEE PRODUCT CODE

**ABS SHOWER DRAIN FOR MOLDED BASES**

**SPECIFICATION**

ABS shower drain with 2" nominal outlet for use with molded bases. Includes a round snap-fit grate.



**FINISHES AVAILABLE**

Fill PRODUCT CODE

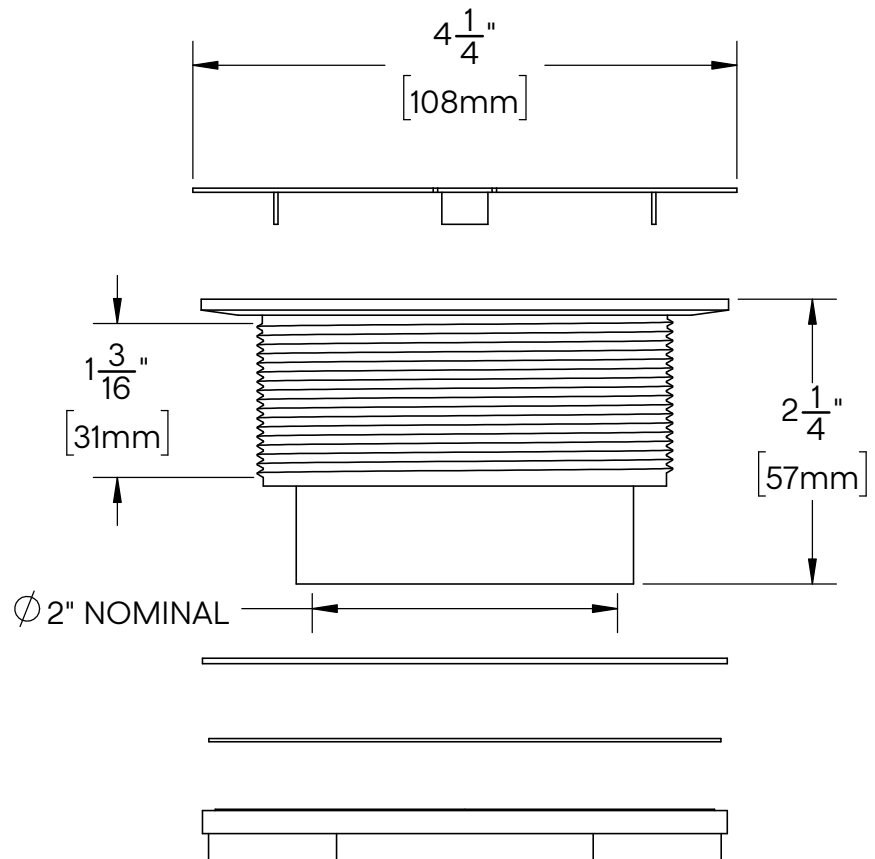
SD20      SD20-W



STAINLESS  
STEEL



WHITE



**Oakville Stamping and Bending Ltd.**

T. 905.827.0320 or toll free 1.877.314.6040 F. 905.827.6375 or toll free 1.877.827.6040

All rights reserved. +osb™ reserves the right to change product specifications and material or discontinue models without notice.

[www.osb.ca](http://www.osb.ca) (Canada) [www.osbplumbing.com](http://www.osbplumbing.com) (USA)

02/18/26

