



SPECIFICATION SUBMITTAL

# SD351T-LT

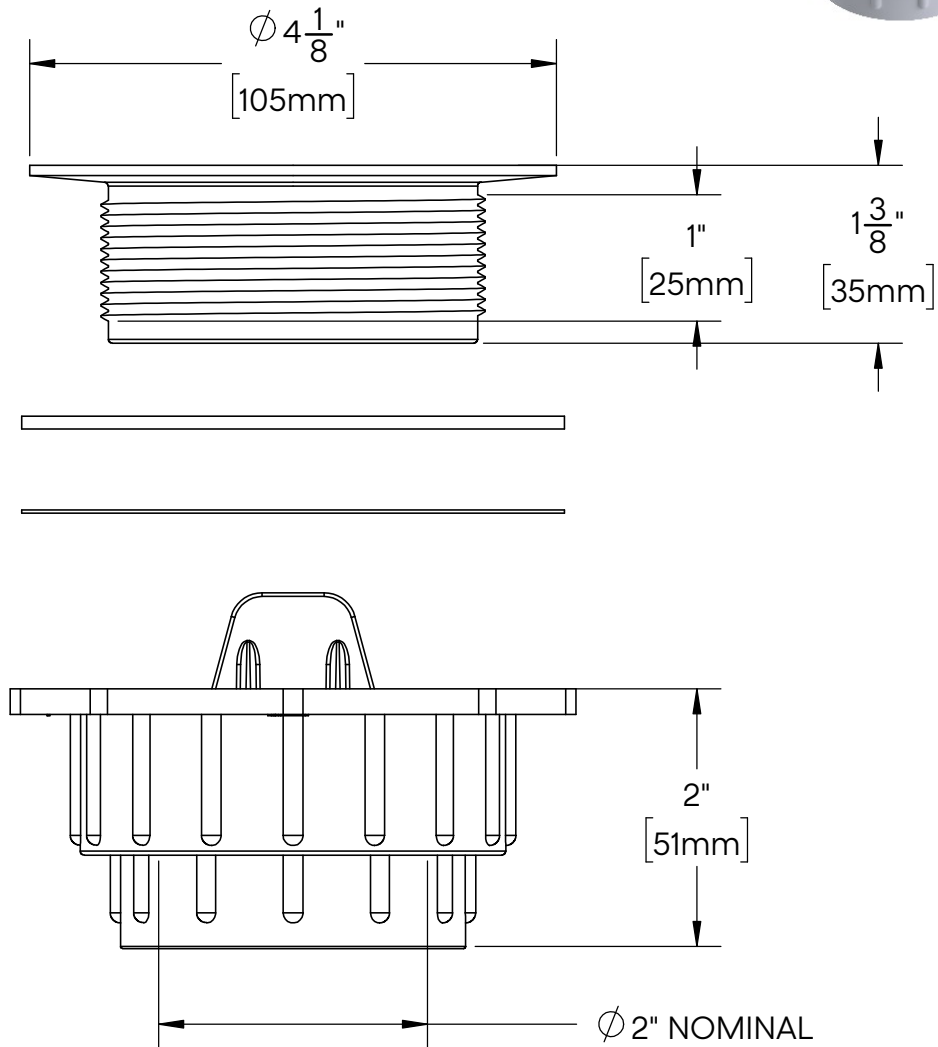
PVC SHOWER DRAIN  
TESTABLE ROUGH-IN FOR MOLDED BASES

JOB:  
CONTRACTOR:  
ARCHITECT/ENGINEER:

DATE:  
QTY:  
PO#:  
TAG:

### SPECIFICATION

PVC shower drain with 2" nominal outlet for use with molded bases. Testable rough-in kit for use with screw-in grates.



Oakville Stamping and Bending Ltd.

T. 905.827.0320 or toll free 1.877.314.6040 F. 905.827.6375 or toll free 1.877.827.6040

All rights reserved. +osb™ reserves the right to change product specifications and material or discontinue models without notice.

www.osb.ca (Canada) www.osbplumbing.com (USA)

02/27/26

