



SPECIFICATION SUBMITTAL

SD355-

SEE FINISHES: X - FINISH

PVC SHOWER DRAIN FOR MOLDED BASES

JOB:
CONTRACTOR:
ARCHITECT/ENGINEER:

DATE:
QTY:
PO#:
TAG:

SPECIFICATION

PVC shower drain with 2" nominal outlet for use with molded bases. Includes a square screw-in grate.

CERTIFICATION



ASME A112.18.2/CSA-B125.2
The "cCSAus" Meets UPC & IPC
Code* mark means the product
conforms to the requirements of
the NPC, UPC, IPC, and IRC.

FINISHES AVAILABLE

Fill X - FINISH

BG



BRUSHED
GOLD

BN



BRUSHED
NICKEL

LB



LUXE
BRONZE

MBL

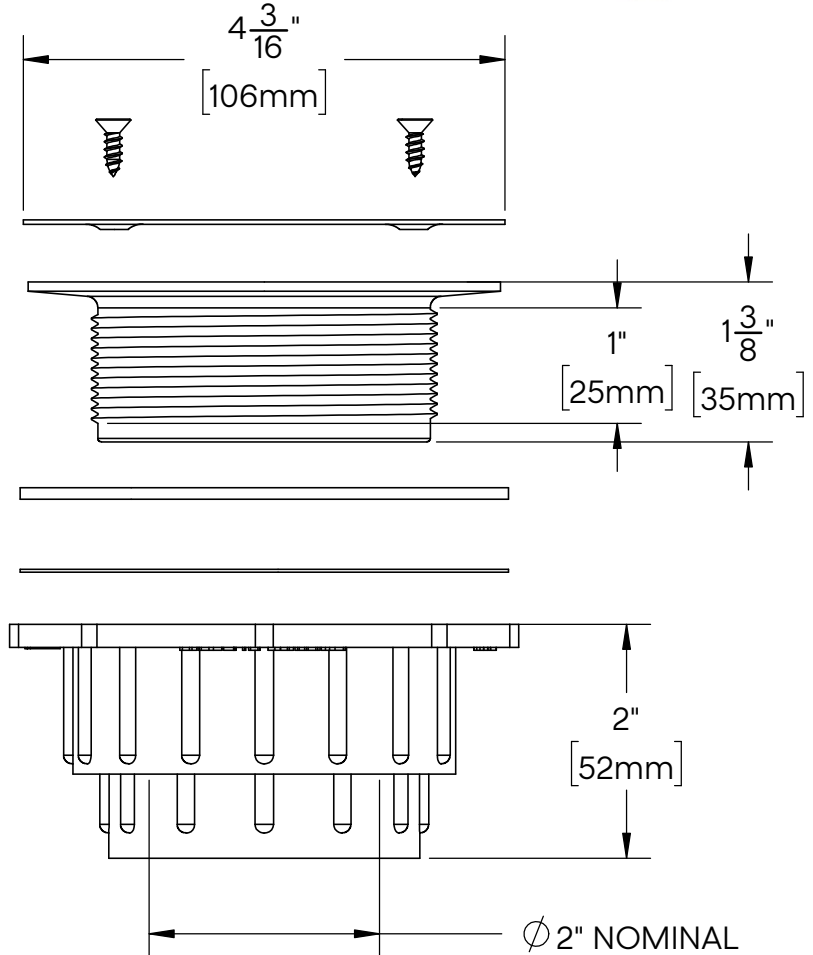


MATTE
BLACK

SS



STAINLESS
STEEL



Oakville Stamping and Bending Ltd.

T. 905.827.0320 or toll free 1.877.314.6040 F. 905.827.6375 or toll free 1.877.827.6040

All rights reserved. +osb™ reserves the right to change product specifications and material or discontinue models without notice.

www.osb.ca (Canada) www.osbplumbing.com (USA)

02/20/26

