



SPECIFICATION SUBMITTAL

SD355T-

SEE FINISHES: X - FINISH

TESTABLE PVC SHOWER DRAIN FOR MOLDED BASES

JOB:
CONTRACTOR:
ARCHITECT/ENGINEER:

DATE:
QTY:
PO#:
TAG:

SPECIFICATION

Testable PVC shower drain with 2" nominal outlet for use with molded bases. Includes a square screw-in grate.



FINISHES AVAILABLE

Fill X - FINISH

BG



BRUSHED
GOLD

LB



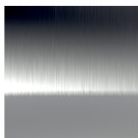
LUXE
BRONZE

MBL

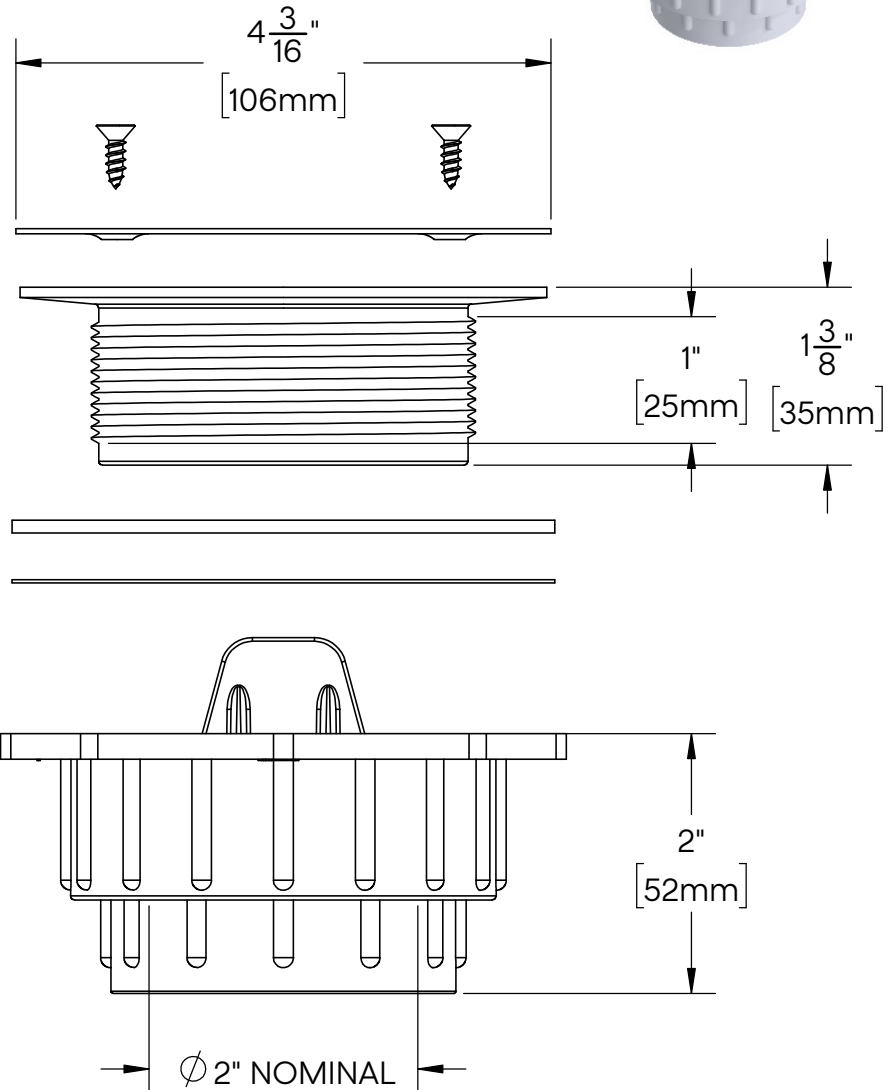


MATTE
BLACK

SS



STAINLESS
STEEL



Oakville Stamping and Bending Ltd.

T. 905.827.0320 or toll free 1.877.314.6040 F. 905.827.6375 or toll free 1.877.827.6040

All rights reserved. +osb™ reserves the right to change product specifications and material or discontinue models without notice.

www.osb.ca (Canada) www.osbplumbing.com (USA)

03/11/26

