



SPECIFICATION SUBMITTAL

SD370-LT

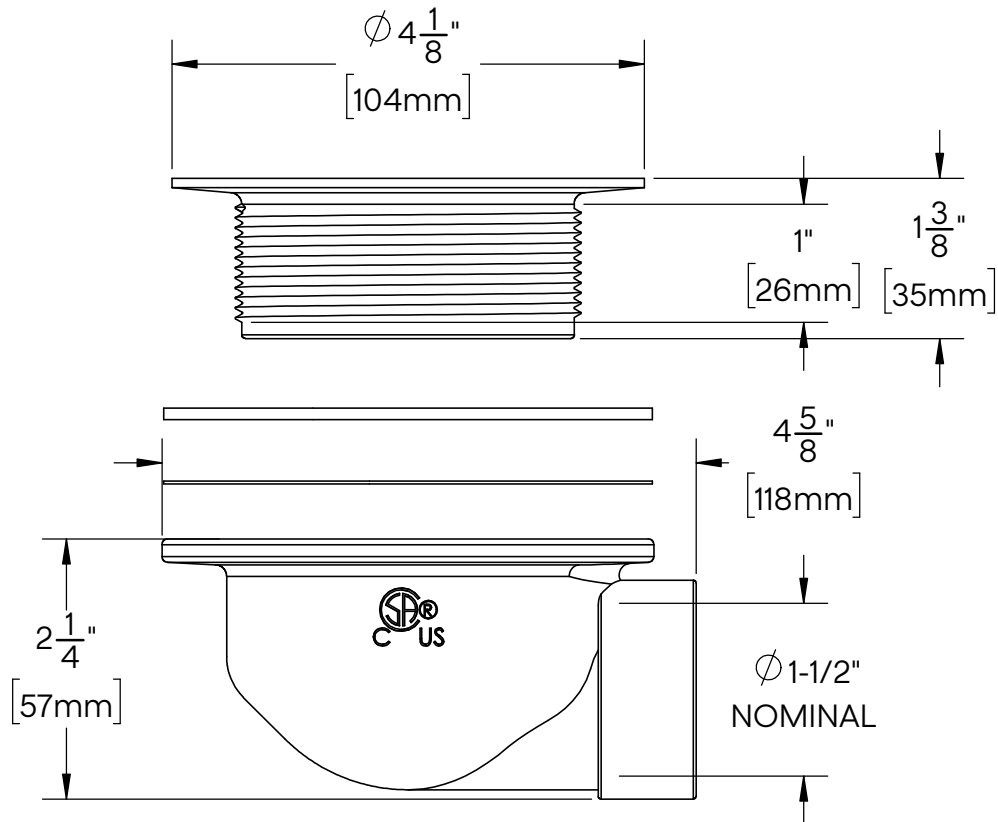
SIDE DISCHARGE BRASS SHOWER DRAIN ROUGH-IN FOR MOLDED BASES

JOB:
CONTRACTOR:
ARCHITECT/ENGINEER:

DATE:
QTY:
PO#:
TAG:

SPECIFICATION

Brass shower drain with 1-1/2" nominal side discharge outlet for use with molded bases. Rough-in kit, for use with a screw-in grate.



Oakville Stamping and Bending Ltd.

T. 905.827.0320 or toll free 1.877.314.6040 F. 905.827.6375 or toll free 1.877.827.6040

All rights reserved. +osb™ reserves the right to change product specifications and material or discontinue models without notice.

www.osb.ca (Canada) www.osbplumbing.com (USA)

02/27/26

