



SPECIFICATION SUBMITTAL

SD5135T-

SEE FINISHES: X - FINISH

TESTABLE PVC SHOWER DRAIN FOR MOLDED BASES

JOB:
 CONTRACTOR:
 ARCHITECT/ENGINEER:

DATE:
 QTY:
 PO#:
 TAG:

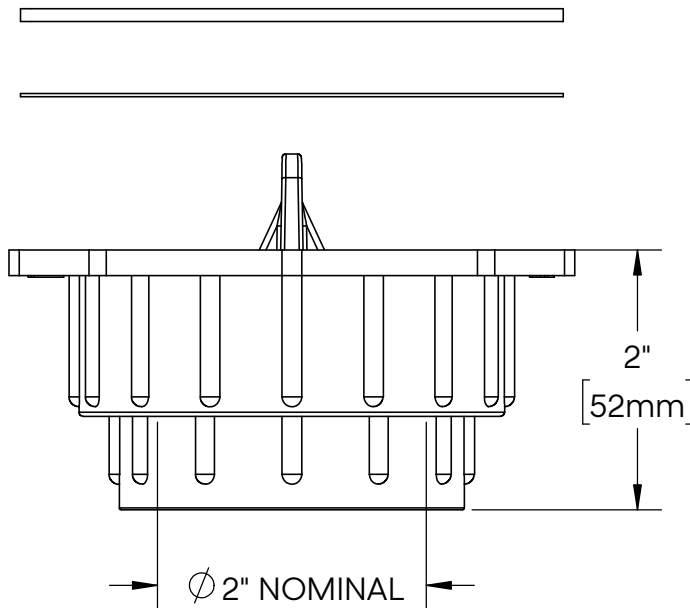
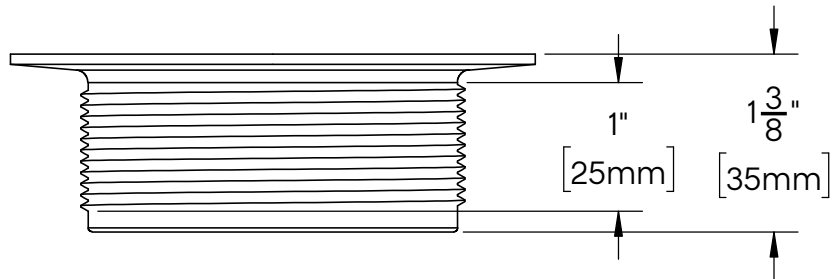
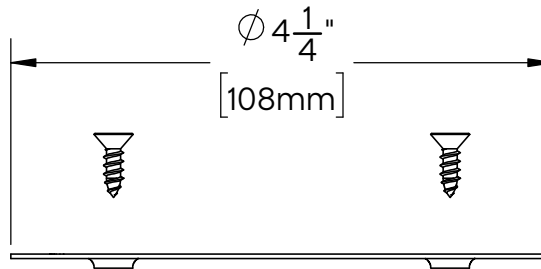
SPECIFICATION

Testable PVC shower drain with 2" nominal outlet for use with molded bases. Includes a round screw-in grate.

CERTIFICATION



ASME A112.18.2/CSA-B125.2
 The "cCSAus" Meets UPC & IPC
 Code" mark means the product
 conforms to the requirements of
 the NPC, UPC, IPC, and IRC.



FINISHES AVAILABLE
 Fill X - FINISH

- | | |
|---------------------------|---------------------------|
| BN

BRUSHED NICKEL | CP

CHROME PLATED |
| MBL

MATTE BLACK | SS

STAINLESS STEEL |
| VB

VENETIAN BRONZE | W

WHITE |

Oakville Stamping and Bending Ltd.

T. 905.827.0320 or toll free 1.877.314.6040 F. 905.827.6375 or toll free 1.877.827.6040

All rights reserved. +osb™ reserves the right to change product specifications and material or discontinue models without notice.

www.osb.ca (Canada) www.osbplumbing.com (USA)

03/10/26

