



SD5144T-

SEE FINISHES: X - FINISH

SPECIFICATION SUBMITTAL

TESTABLE PVC SHOWER DRAIN FOR TILE BASES

JOB:
CONTRACTOR:
ARCHITECT/ENGINEER:

DATE:
QTY:
PO#:
TAG:

SPECIFICATION

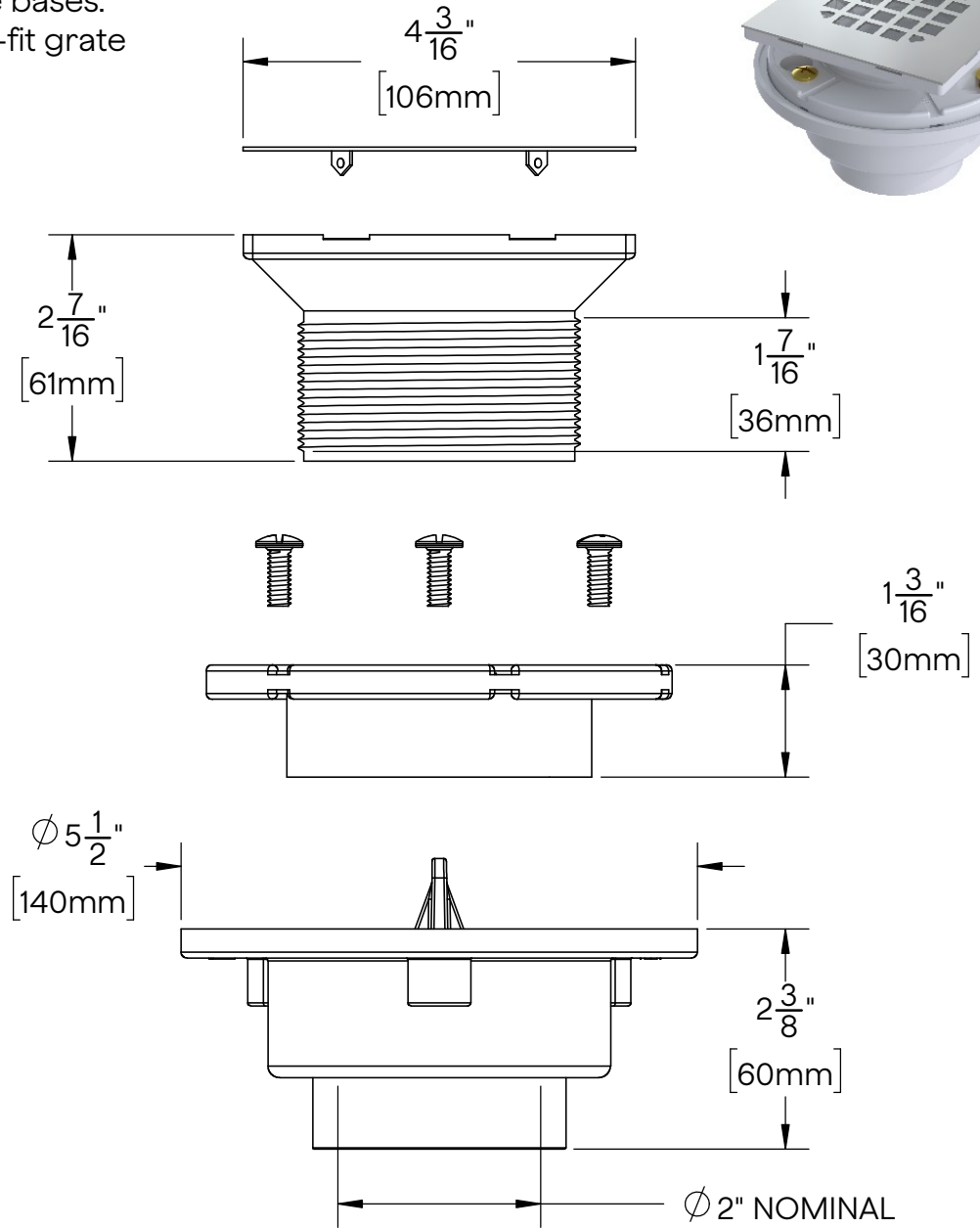
Testable PVC shower drain with 2" nominal outlet for tile bases. Includes a square snap-fit grate and reversible collar.



FINISHES AVAILABLE

Fill X - FINISH

- | | |
|-----------------|-----------------|
| BG | BN |
| | |
| BRUSHED GOLD | BRUSHED NICKEL |
| LB | MBL |
| | |
| LUXE BRONZE | MATTE BLACK |
| SS | VB |
| | |
| STAINLESS STEEL | VENETIAN BRONZE |
| W | |
| | |
| WHITE | |



Oakville Stamping and Bending Ltd.

T. 905.827.0320 or toll free 1.877.314.6040 F. 905.827.6375 or toll free 1.877.827.6040

All rights reserved. +osb™ reserves the right to change product specifications and material or discontinue models without notice.

www.osb.ca (Canada) www.osbplumbing.com (USA)

04/01/26

