



SPECIFICATION SUBMITTAL

SD5145T-

SEE FINISHES: X - FINISH

TESTABLE PVC SHOWER DRAIN FOR TILE BASES

JOB:
CONTRACTOR:
ARCHITECT/ENGINEER:

DATE:
QTY:
PO#:
TAG:

SPECIFICATION

Testable PVC shower drain with 2" nominal outlet for tile bases. Includes a round screw-in grate and reversible collar.



FINISHES AVAILABLE

Fill X - FINISH

BG



BRUSHED GOLD

BN



BRUSHED NICKEL

LB



LUXE BRONZE

MBL



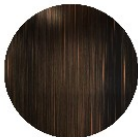
MATTE BLACK

SS



STAINLESS STEEL

VB

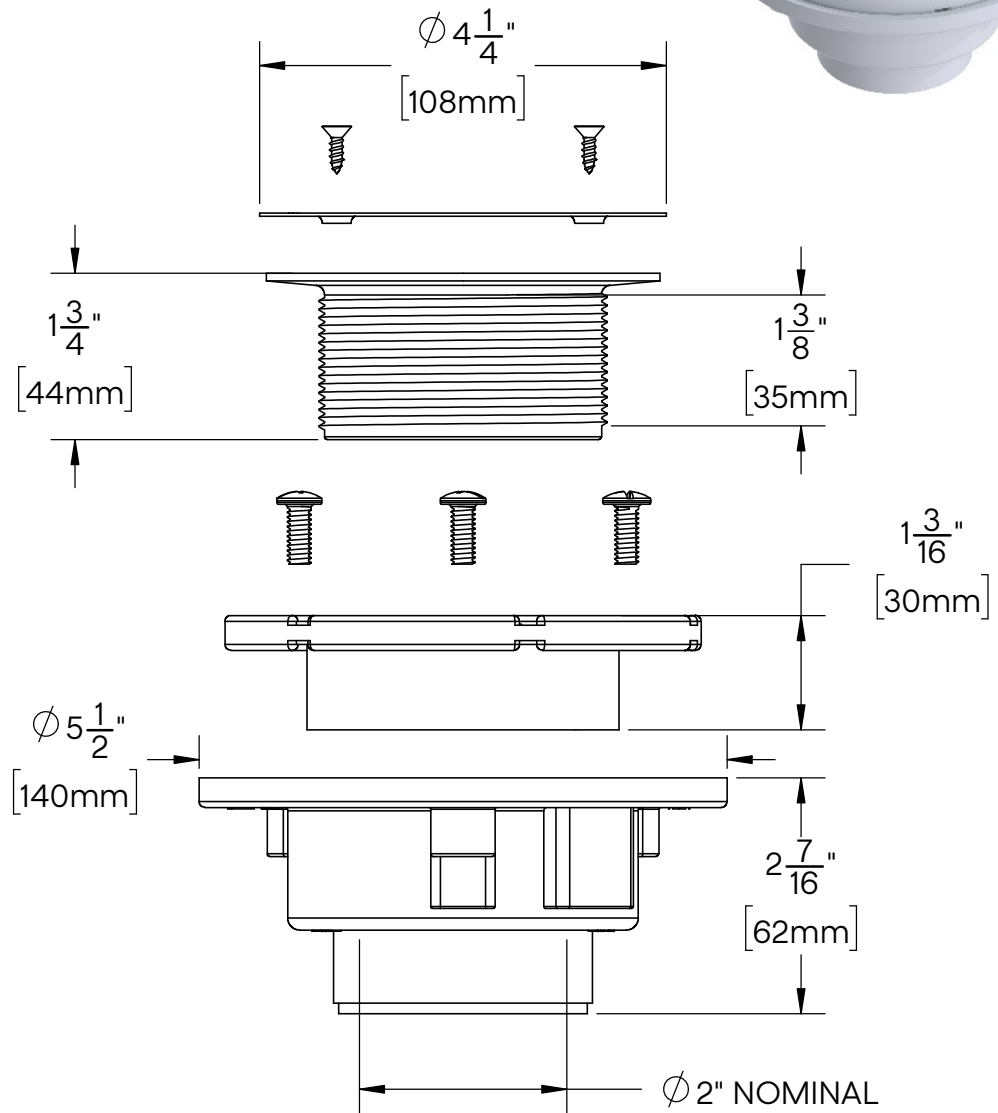


VENETIAN BRONZE

W



WHITE



Oakville Stamping and Bending Ltd.

T. 905.827.0320 or toll free 1.877.314.6040 F. 905.827.6375 or toll free 1.877.827.6040

All rights reserved. +osb™ reserves the right to change product specifications and material or discontinue models without notice.

www.osb.ca (Canada) www.osbplumbing.com (USA)

04/01/26

