



SPECIFICATION SUBMITTAL

SDS44-LT

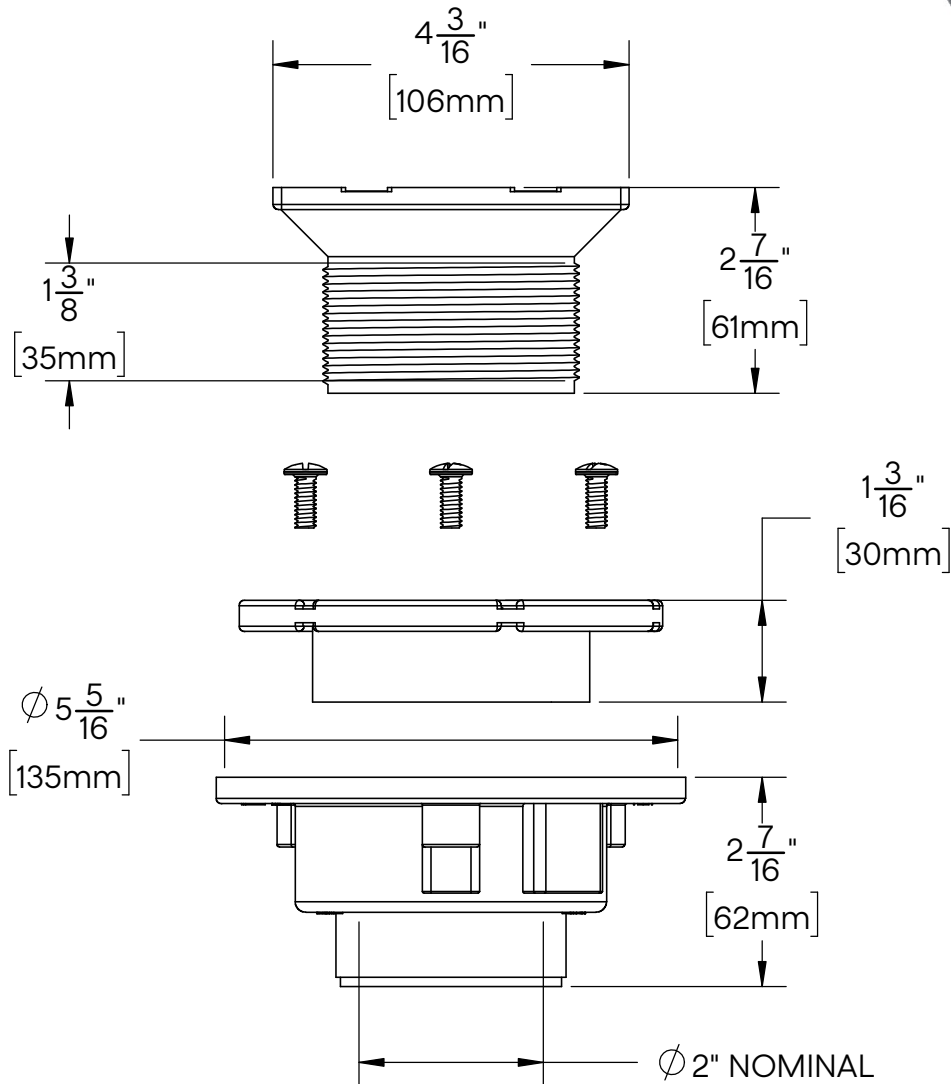
ABS SHOWER DRAIN ROUGH-IN FOR TILE BASES

JOB:
CONTRACTOR:
ARCHITECT/ENGINEER:

DATE:
QTY:
PO#:
TAG:

SPECIFICATION

ABS shower drain with 2" nominal outlet for tile bases. Testable rough-in kit for use with snap-fit square grates. Comes with a reversible collar.



Oakville Stamping and Bending Ltd.

T. 905.827.0320 or toll free 1.877.314.6040 F. 905.827.6375 or toll free 1.877.827.6040

All rights reserved. +osb™ reserves the right to change product specifications and material or discontinue models without notice.

www.osb.ca (Canada) www.osbplumbing.com (USA)

03/02/26

