



**SPECIFICATION SUBMITTAL**

JOB:  
 CONTRACTOR:  
 ARCHITECT/ENGINEER:

**TRO Q-**

X - FACEPLATE      Y - FINISH

**PLASTIC TRIM KIT WITH LARGE CLICKER®  
 FOR WASTE & OVERFLOW**

DATE:  
 QTY:  
 PO#:  
 TAG:

**SPECIFICATION**

Trim kit for bathtub waste & overflow rough-ins. Includes Slide-On™ faceplate, and large Clicker® closure mechanism.

**CERTIFICATION**

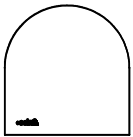


ASME A112.18.2/CSA-B125.2  
 The "cCSAus" Meets UPC & IPC Code\* mark means the product conforms to the requirements of the NPC, UPC, IPC, and IRC.

**FACEPLATES AVAILABLE**

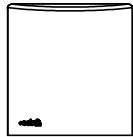
FILL X - FACEPLATE

**0**



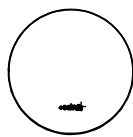
BELL

**1**



SQUARE

**2**



ROUND



**FINISHES AVAILABLE**

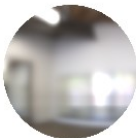
Fill Y - FINISH

**BN**



BRUSHED NICKEL

**CP**



CHROME PLATED

**MBL**



MATTE BLACK

**POLN**



POLISHED NICKEL

**VB**



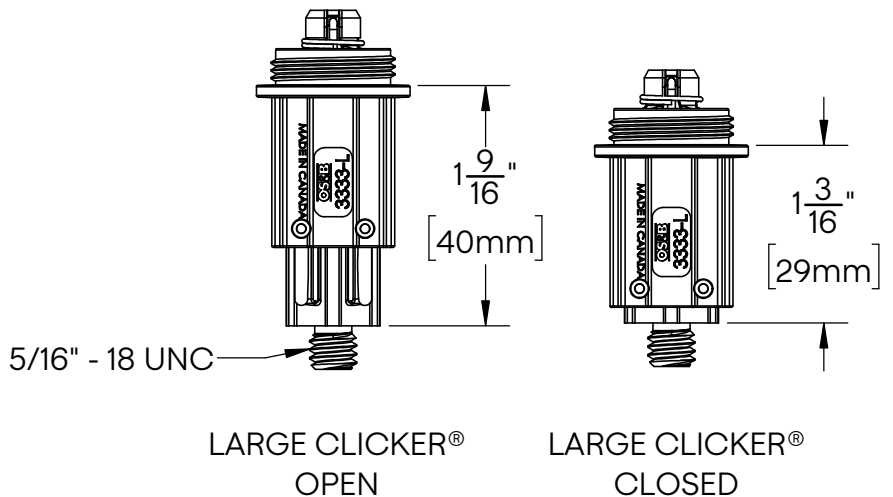
VENETIAN BRONZE

**W**



WHITE

TR00Q-CP  
 SHOWN



**Oakville Stamping and Bending Ltd.**

T. 905.827.0320 or toll free 1.877.314.6040 F. 905.827.6375 or toll free 1.877.827.6040

All rights reserved. +osb™ reserves the right to change product specifications and material or discontinue models without notice.

**www.osb.ca (Canada) www.osbplumbing.com (USA)**

**05/21/26**

