



SPECIFICATION SUBMITTAL

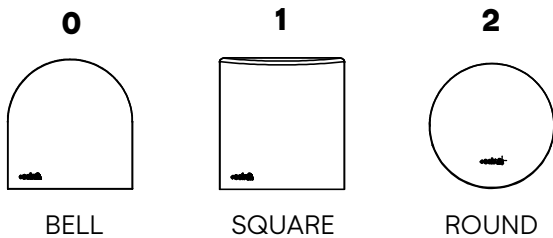
JOB:
 CONTRACTOR:
 ARCHITECT/ENGINEER:

SPECIFICATION

Trim kit for bathtub waste & overflow rough-ins. Includes brass Slide-On™ faceplate, and large Clicker® closure mechanism.

FACEPLATES AVAILABLE

FILL X - FACEPLATE



FINISHES AVAILABLE

Fill Y - FINISH



TRBO Q-

X - FACEPLATE Y - FINISH

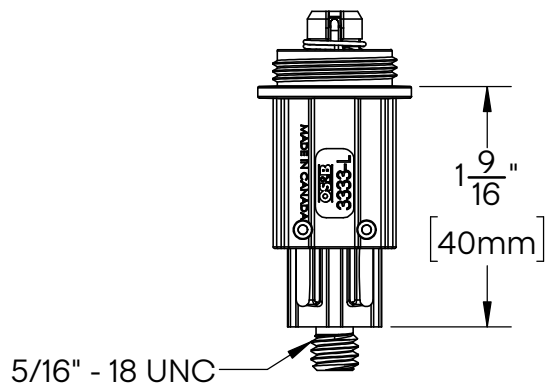
NOTE: LB finish not available with Square faceplate
 W finish only available with Round faceplate

**BRASS TRIM KIT WITH LARGE CLICKER®
 FOR WASTE & OVERFLOW**

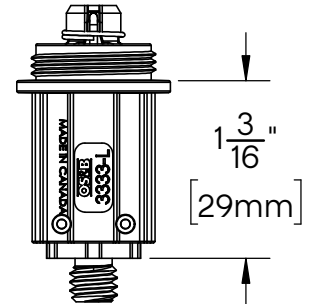
DATE:
 QTY:
 PO#:
 TAG:



TRB00Q-BCP
 SHOWN



LARGE CLICKER®
 OPEN



LARGE CLICKER®
 CLOSED

Oakville Stamping and Bending Ltd.

T. 905.827.0320 or toll free 1.877.314.6040 F. 905.827.6375 or toll free 1.877.827.6040

All rights reserved. +osb™ reserves the right to change product specifications and material or discontinue models without notice.

www.osb.ca (Canada) www.osbplumbing.com (USA)

05/21/26

