

LED Exterior Lamp

EL0701808

INSTALLATION SHEET

START FROM HERE

- Prepare everything in a clear area.
- Read instructions carefully before you start assembly.
- Keep this instruction sheet for future reference.

Please Note:

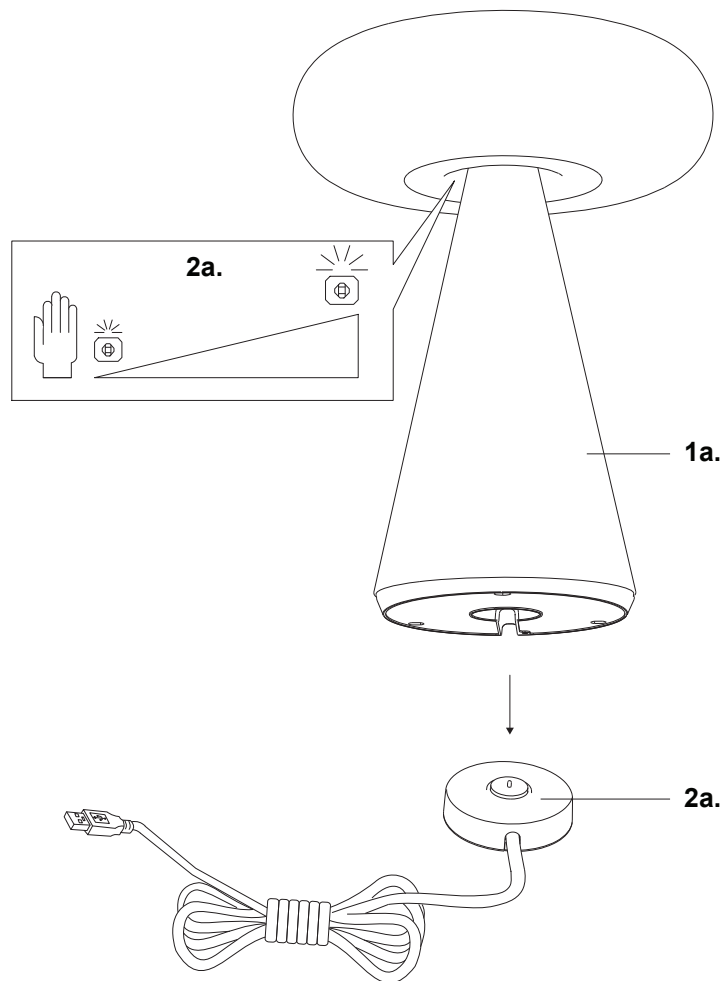
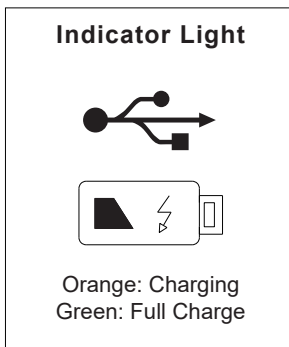
- This LED fixture comes with pre-wired LED module(s)
- Unless instructed, Do Not touch any part of the LED module(s) as any unnecessary contact with the module could cause permanent damage
- Touch Switch Dimmer
- Please refer to the local regulation regarding proper disposal of batteries

USE AS DIRECTED:

This product served exclusively lighting purposed and may:

- Not be exposed to strong mechanical loads or to strong contamination
- Only be installed and operated after a condition inspection if the product is dirty or has been moistened through storage

1. Remove the fixture from it's original packaging
2. Before first using, please charge:
Attach fixture (1a) to charging dock (2a)
 - **Charge Time:** 4 hours (Full Charge)
 - **Work Time:** 6 Hours (Max Output)
3. Use hand to activate dimmer. Touch and hold to dim, touch to turn on/off (2a)



SoModern

T: 1.833.8SO.MDRN (76.6376)

W: www.somodernlighting.com

E: info@somodernlighting.com