

# LED Exterior Lamp

# EL0702608

INSTALLATION SHEET

## START FROM HERE

- Prepare everything in a clear area.
- Read instructions carefully before you start assembly.
- Keep this instruction sheet for future reference.

### Please Note:

- This LED fixture comes with pre-wired LED module(s)
- Unless instructed, Do Not touch any part of the LED module(s) as any unnecessary contact with the module could cause permanent damage
- Touch Switch Dimmer
- Please refer to the local regulation regarding proper disposal of batteries

### USE AS DIRECTED:

This product served exclusively lighting purposed and may:

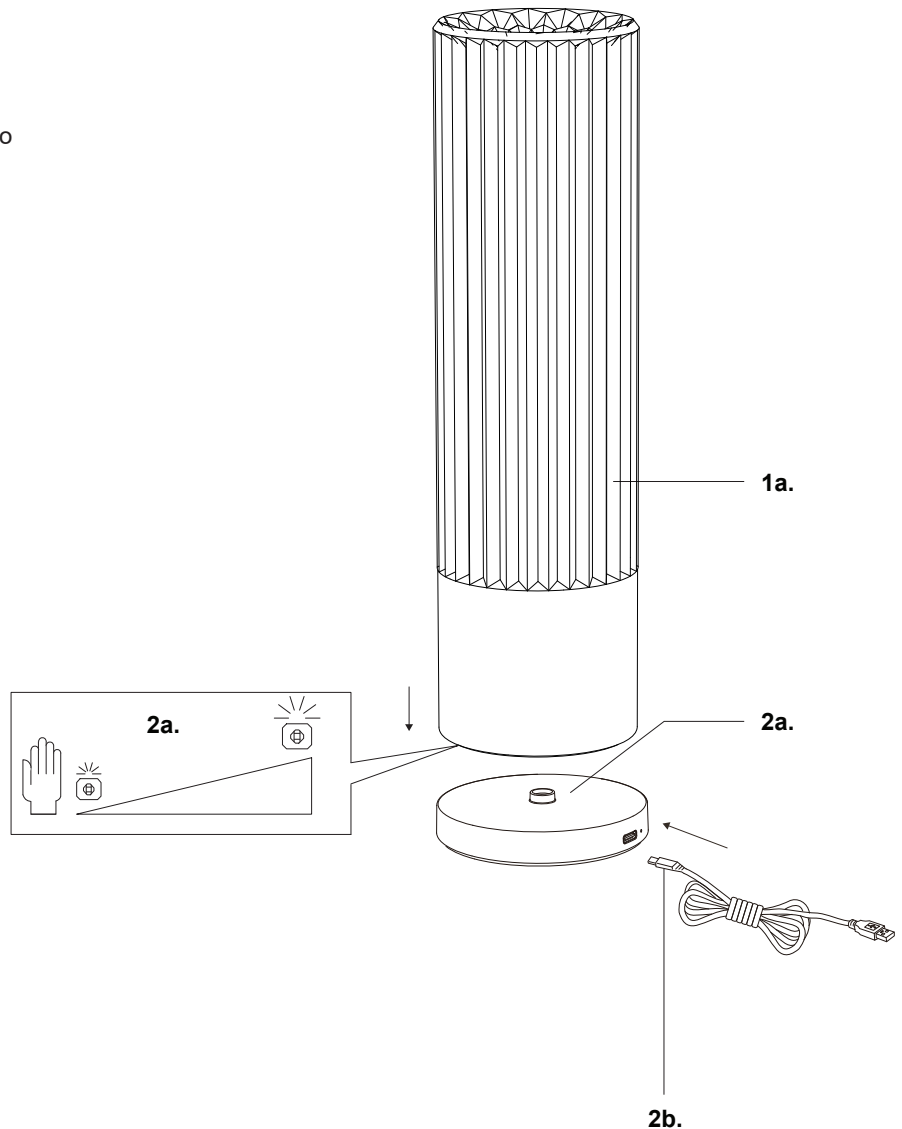
- Not be exposed to strong mechanical loads or to strong contamination
- Only be installed and operated after a condition inspection if the product is dirty or has been moistened through storage

1. Remove the fixture from it's original packaging
2. Before first using, please charge:  
Attach fixture (1a) to charging dock (2a) and insert charging cable (2b) into charging dock (2a)
  - **Charge Time:** 5 hours (Full Charge)
  - **Work Time:** 10 Hours (Max Output)
3. Use hand to activate dimmer. Touch and hold to dim, touch to turn on/off and change CCT (2a)

### Indicator Light



Orange: Charging  
Green: Full Charge



## SoModern

T: 1.833.8SO.MDRN (76.6376)

W: [www.somodernlighting.com](http://www.somodernlighting.com)

E: [info@somodernlighting.com](mailto:info@somodernlighting.com)