

LED Exterior Lamp

EL0732403

INSTALLATION SHEET

START FROM HERE

- Prepare everything in a clear area.
- Read instructions carefully before you start assembly.
- Keep this instruction sheet for future reference.

Please Note:

- This LED fixture comes with pre-wired LED module(s)
- Unless instructed, Do Not touch any part of the LED module(s) as any unnecessary contact with the module could cause permanent damage
- Touch Switch Dimmer
- Please refer to the local regulation regarding proper disposal of batteries

USE AS DIRECTED:

This product served exclusively lighting purposed and may:

- Not be exposed to strong mechanical loads or to strong contamination
- Only be installed and operated after a condition inspection if the product is dirty or has been moistened through storage

1. Remove the fixture from it's original packaging
2. Before first using, please charge:
 - **Charging fixture directly:** Remove charging cover on fixture (1a) and insert charging cable (1b) to fixture (1a) (See Illustration 1)
 - **Charging with charging dock:** Insert charging cable (1b) into charging dock (2b) and attach fixture (1a) to charging dock (2b) (See Illustration 2)
 - **Charge Time:** 2.5 hours (Full Charge)
 - **Work Time:** 4 Hours (Max Output)
3. Use hand to activate dimmer. Touch and hold to dim, touch to turn on/off (2a)

Illustration 1

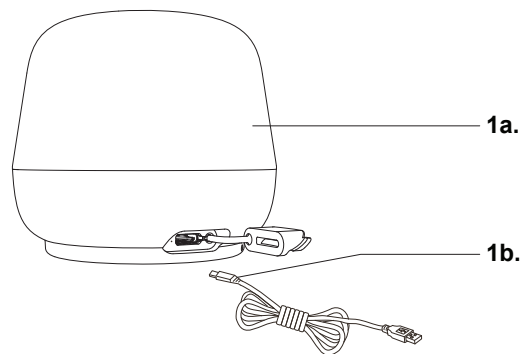
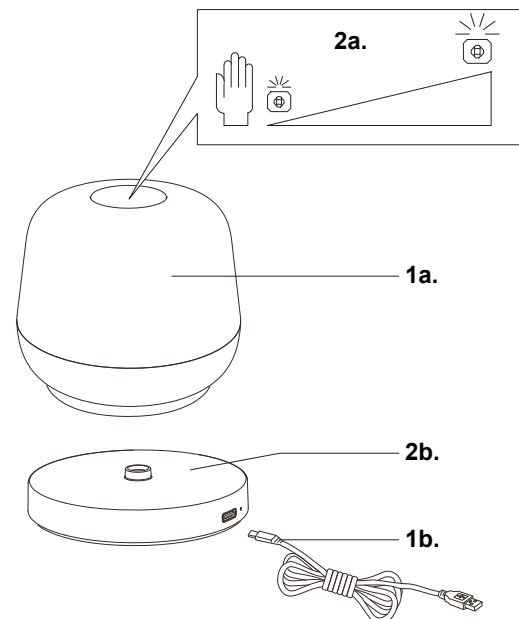


Illustration 2



Indicator Light



Orange: Charging
Green: Full Charge

SoModern

T: 1.833.8SO.MDRN (76.6376)

W: www.somodernlighting.com

E: info@somodernlighting.com