

# LED Linear Pendant

**LP0726647**  
INSTALLATION SHEET

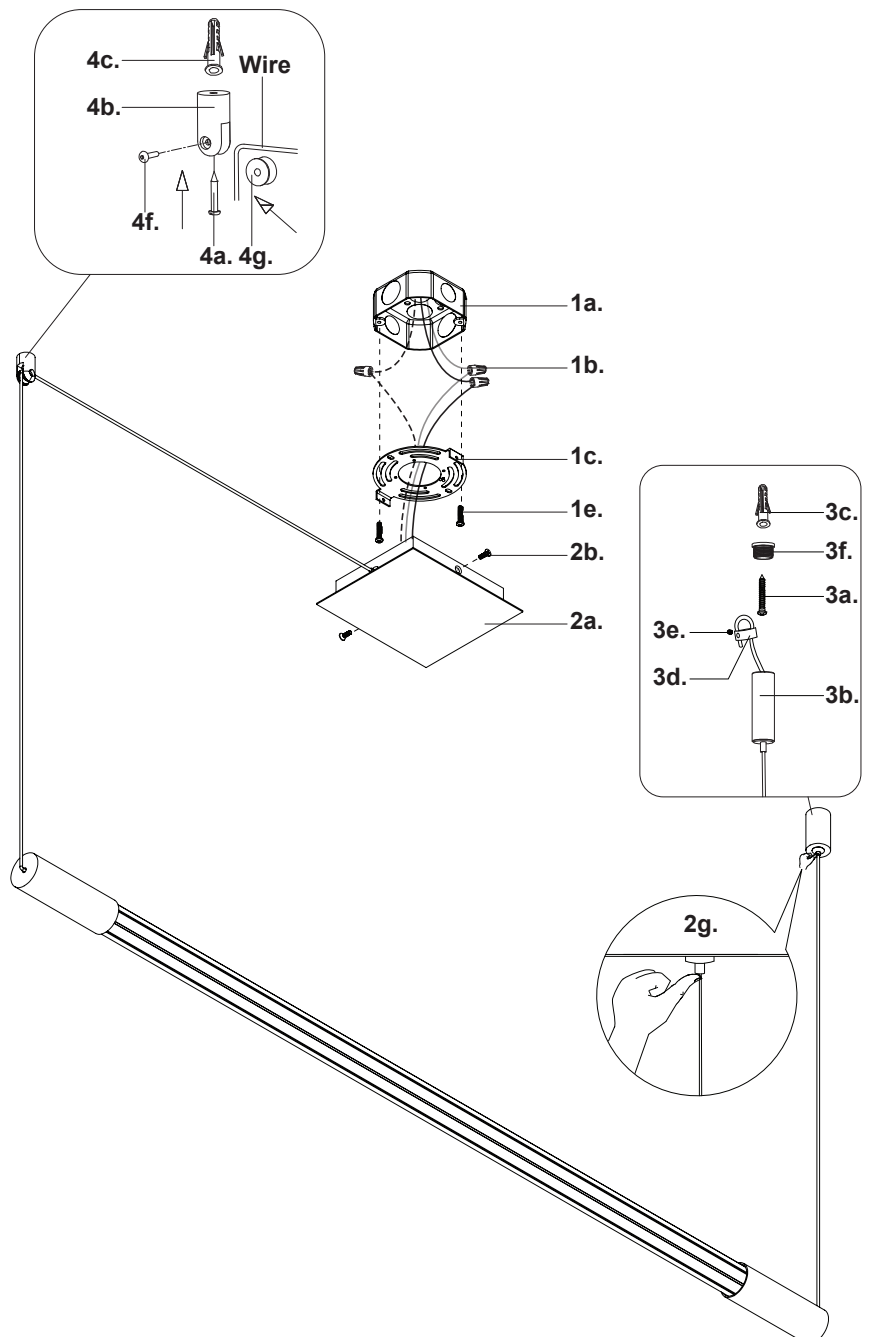
## START FROM HERE

- Make sure **POWER** is **COMPLETELY OFF** at the fuse box
- Have your fixture installed by a qualified licensed electrician
- Prepare everything in a clear area
- Wear gloves at all time during this installation
- Read instructions carefully before you start assembly
- Keep this installation sheet for future reference

## Please Note:

- This LED fixture comes with pre-wired LED module(s)
- Unless instructed, Do Not touch any part of the LED module(s) as any unnecessary contact with the module could cause permanent damage
- Use ELV (Electronic Low Voltage) or TRIAC type of dimmer for dimming application
- 120-277V input

1. Remove fixture from its original package
2. Separate mounting plate (1c) from canopy (2a) by removing canopy screws (2b)
3. Attach mounting plate (1c) to electrical junction box (1a) using junction box screws provided (1e) in hardware package
4. Make proper electrical connections (**black to hot "L"**, **white to neutral "N"**, **ground to "GND"**) with wire nuts (1b) provided in hardware package
5. Attach canopy (2a) to mounting plate (1c) with canopy screws (2b)
6. Mark and install ceiling anchor (4b) with screw (4a) and anchor (4c), opening on ceiling anchor (4b) facing towards canopy (2a). Ideal distance between ceiling anchor (4b) and aircraft barrel (3b) is 48-1/2"
7. Place wire onto pulley (4g), insert into ceiling anchor (4b) and secure with screw (4f)
8. Pull wire through aircraft barrel (3b) and stopper (3d). Adjust wire to desired length and secure with set screw (3e). Secure barrel mount (3f) to mounting surface with anchor (3c) and screw (3a). Thread barrel (3b) to barrel mount (3f) to secure
9. Fine tune wire length if necessary, by push and hold wire gripper (2g) and then adjust wire to desired length



**SoModern**

T: 1.833.8SO.MDRN (76.6376)

W: [www.somodernlighting.com](http://www.somodernlighting.com)

E: [info@somodernlighting.com](mailto:info@somodernlighting.com)